

上海康比利仪表有限公司

SHANGHAI COMPLEE INSTRUMENT CO., LTD.

Digital Parameter Meter 数字显示电测量仪表





Complee *profile*

Shanghai Complee Instrument Co., Ltd. (short for Complee), is a member of National Standardization Committee for Electrical Meters & Instruments, is a leading manufacturer specializing in various kinds of electrical measuring instruments and current transformers and Hall Effect sensors.

In 1995, Complee was established in Zhejiang Province, and transferred its headquarter to Songjiang Technology Zone in Shanghai in 2004, with new factory area of 18000 m² and workshop area of 10000m². Complee has the excellent engineers and mould-making technicians team, which make a strong research and development ability. Complee own sound quality management system, manufacturing and quality control ability.

Complee has owned the ISO9001:2015, CE, CB and KEMA-KEUR certificates. Complee's marine meters are conferred by Det Norske Veritas (DNV), Germanischer Lloyd (GL) and China Classification Society (CCS), and its explosion-proof meters has gained National PCEC Anti-explosion Certificate.

Complee has established a cooperative R&D and Sales relationship with companies from Germany, U.S.A. etc. Complee's products have been enjoying the lead both at home and abroad. Complee's panel meters conform to IEC60051, IEC61010, and Digital Parameter Meters conform to GB/T22264-2008, and the current transformers comply with IEC61869 and GB20840.KLY series which export to Germany are made according to DIN43700 and DIN61010.

Complee's products are widely used in military, aviation, high-speed railway, subway, shipping, oil, chemical industry, welding, architecture, industrial equipment, transmission and distribution, etc. and gain high reputations and trust. Moreover, We are honored to be chosen by GMW, ABB and SIEMENS to be their supplier.

By adhering to "quality first, customer foremost", Complee cordially serves its domestic and oversea markets to cast a well-known international brand "Complee" based on its consistent efforts for exploitation and innovation.

Due to the development of the company, Complee company a new factory in Huzhou, Zhejiang Province in 2018, and established Zhejiang Kang Complee Electric Co., Ltd. to expand production scale and adapt to market demand.



▶▶ 公司简介

上海康比利仪表有限公司（以下简称康比利公司）是全国电工仪器仪表标准化技术委员会的成员之一，专业生产各种安装式电测量仪表、互感器及传感器等产品。

康比利公司于1995年在浙江创立，2004年公司总部迁移上海松江科技园区。公司占地18000 m²，厂房面积10000 m²。康比利拥有优秀的工程技术团队和优秀的模具制造团队，具有强大的研发能力。康比利公司拥有完善的质量管理体系，强大的生产能力和质量控制能力。

康比利公司通过了ISO9001-2015认证，仪表产品已通过Intertek公司的CE和CB认证，并获得KEMA-KEUR认证证书。船用仪表获得了中国船级社CCS型式认可证书、挪威船级社DNV.GL认证证书和德国劳氏船级社GL认证证书。防爆产品获得了中国PCEC防爆合格证书。

康比利公司和德国、美国等国家的仪表同行建立了生产、销售和共同研发的良好关系，使康比利产品的质量和在国内同行中始终处于领先水平，在国际同行业中处于一流水平。康比利公司产品严格按照IEC60051、IEC61010国际标准和GB/T7676-1998国家标准生产，数字表产品按照GB/T22264-2008标准生产，互感器产品严格按照IEC61869国际标准和GB20840国家标准生产。

康比利产品被广泛应用在国际和国内的航天航空，高速铁路，地铁，船舶，石油，化工，焊接，建筑，工业装备，输配电等各个领域的设备上，并获得了高度好评。是ABB、SIEMENS、德国GMW等国际著名公司的长期配套供应商。

康比利公司始终以“质量第一，顾客至上”为方针，诚心服务于国内外市场的各个领域，以创立国际知名品牌为战略目标，不断开拓创新，发展前进。

因公司发展，康比利公司于2018年在浙江湖州建立新工厂，成立浙江康比利电气有限公司，以扩大生产规模，适应市场需求。

荣誉只表明昨天，立足今天，我们奋力铸造优良品质.....

Certificate Qualification

资质证书

营业执照 (副本)
统一社会信用代码: 9131011745096628
注册号: 310000001400170136

名称: 上海康比仪表有限公司
类型: 有限责任公司(国内合资)
住所: 上海市松江科技园区彭丰路790号
法定代表人: 李荣平
注册资本: 人民币2000.0000万元整
成立日期: 2002年12月3日
营业期限: 2002年12月3日至2030年12月2日
经营范围: 微电机及其他电机、配电网控制设备、电工仪器仪表(除计量器具)、通信、智能、从事智能与技术的进出口业务、变压器、整流器、电容器制造、销售。
【依法须经批准的项目，经相关部门批准后方可开展经营活动】

2016年11月1日

QUALITY MANAGEMENT SYSTEM CERTIFICATE
Certificate No.070 19 Q3 0339 R1M

This is to Certify that the Quality Management System of **SHANGHAI COMPLEX INSTRUMENT CO., LTD.**
Haidian social credit code: 9131011745096628
Registration Address: No.790, Pengfeng Road, Songjiang Technology Zone, Shanghai, P.R. China/201614
Office Address: No.790, Pengfeng Road, Songjiang Technology Zone, Shanghai, P.R. China/201614

is in conformity with:
GB/T 19001—2016/ISO 9001:2015

The certificate is valid to the following product(s)/service:
Design, Development, Production and Service of Electric Measurement Instrument, Sensor, Transducer, Controller, Encoder and Current Transformer within the Scope of Qualification

The validity of this certificate is maintained under the regular supervision of the issuing authority, should not the decision notice issued by us in consultation. All the information is available online by our website (www.jycx.com) and platform of government (http://cma.cma.cn).

Initial Issue Date: 24-02-2017
Issue Date: 25-09-2019
Expiry Date: 24-09-2022
Replace Date: 25-09-2019

General manager: 李荣平

Beijing Jun You Cheng Xia Testing and Certification Co., Ltd.
Floor A, No.3 Yuxian North Street, Xichang District, Beijing (100861)

质量管理体系认证证书
注册号: 070 19 Q3 0339 R1M

认证机构: 上海康比仪表有限公司
统一社会信用代码: 9131011745096628
注册地址/邮编: 上海市松江科技园区彭丰路790号/201614
经营地址/邮编: 上海市松江科技园区彭丰路790号/201614

质量管理体系符合:
GB/T 19001—2016/ISO 9001:2015

该质量管理体系适用于:
电测量指示仪表、传感器、变送器、控制器、编码器和资质范围内电测互感器的设计、开发、生产和销售

初次发证日期: 2017年02月24日
发证日期: 2019年09月25日
有效期至: 2022年09月24日
换证日期: 2019年09月25日

总经理: 李荣平

北京军友诚信检测认证有限公司
北京市西城区北三环北路5号合创大厦A (100861)

Certificate
PROFIBUS Nutzerorganisation e.V. grants to **Shanghai Complex Instrument Co., Ltd.**
No. 790 Pengfeng Road, Technology Zone, Songjiang 201614 Shanghai, China

the Certificate No. Z01905 for the PROFIBUS device:
Model Name: **MPDP1A**
Revision: **V1.01/SW/FW: V1.00; HW: V1.00**
GSD: **COMPOFOF.GSD, File Version: 5**

This certificate confirms that the product has successfully passed the certification tests with the following scope:
 DP-V0
 DP-V1
 Physical Layer
MS2, Freeze
MS1, Alarms, MS2, BSM
RS485

Test Report Number: **MCDL-2014-848-D**
Authorized Test Laboratory: **ITEL Beijing, China**

The tests were executed in accordance with the following documents:
"Test Specifications for PROFIBUS DP Slaves, Version 1.05, September 2008".
This certificate is granted according to the document:
"Framework for testing and certification of PROFIBUS and PROFNET products".
For all products that are placed in circulation by December 09, 2017, this certificate is valid for life.

Official in Charge: [Signature]
Board of PROFIBUS Nutzerorganisation e.V.
[Signature]
K.F. Lindner

PROFIBUS Nutzerorganisation e.V. - Testcenter/No. 7, 70111 Badhoeve
Shanghai Complex Instrument Co., Ltd.
Xuming Lin
Marketing Department
No. 790 Pengfeng, Technology Zone, Songjiang
201614 Shanghai
China

12 January 2019

Certificate: Z01905

Dear Xuming Lin,
we are pleased to send you enclosed your above-mentioned certificate.
You can register your product in the online Product Guide on www.profibus.com. If you want, that means, you can do this yourself, if your product is released on the market. This register is free of charge for members of PROFIBUS & PROFNET International (PII).
Furthermore, you have the opportunity to promote your PROFIBUS & PROFNET product in the international newsletter "PROFINews" - which is also free of charge for members of PII. Just send your text in English language together a picture of the product (jpg or pdf) to profibus@profibus.com.

PROFIBUS certificates are valid for 3 years (you can find the date of expiry on the certificate). When the validity of a certificate expires, it can be prolonged either with a new test or with a declaration of the manufacturer. Such a declaration may only be used if the device is unchanged, and if the manufacturer informs us within 3 months' time after the date of expiry that he intends to prolong the validity of his certificate. We will then check if all further conditions for prolongation with a manufacturer's declaration are fulfilled.

Yours sincerely
PROFIBUS Nutzerorganisation e.V.
[Signature]
LA. Anne Dörflinger

Certificate (in duplicate)

PROFIBUS Nutzerorganisation e.V. - Testcenter/No. 7, 70111 Badhoeve - Tel: +49 703 94 80 000 - Fax: +49 703 94 80 888 - E-Mail: info@profibus.com
Member since November 1990/Member since Prof. Dr. Peter Bauer: since March 1992
Registration: Register Court: Amtsgericht Local Court Mannheim, Register No. /Reg.No.: HR 15247

VOV
CERTIFICATE OF CONFORMITY
EN - LOW VOLTAGE DIRECTIVE - 2014/35/EU
Registration No.: VT13099903

Applicant: SHANGHAI COMPLEX INSTRUMENT CO., LTD.
Applicant Address: NO. 790 PENGFENG ROAD, TECHNOLOGY ZONE, SONGJIANG SHANGHAI, CHINA
Product Description: SENSITIZATION POWER METER
Model / Parameters: K33-DIM-M-CE-CDY
K33-DIM-M-CE-CDY/REPRESENTS SIZE: 08, 10, 14
K33-DIM-M-CE-CDY/REPRESENTS SIZE: 08, 12
TCF / Project No.: 468982

Complies with the requirements of the European Community Directive 2014/35/EU. The submitted products have been tested by us with the listed standards and found in compliance with the following European Standards:
EN 61010-1:2010 EN 61010-2:30:2010

This certificate of conformity is based on an evaluation of a sample of the above mentioned product. Technical Report and documents are at the Licensee's disposal. This certificate does not imply assessment of the series-production of the product. The CE markings as shown below can be affixed on the product after preparation of necessary technical documents.

CE Authorized by: **Approved**
Sep 26, 2015
VOV CERTIFICATION & TESTING LABORATORY LIMITED
THIS CERTIFICATE IS VALID FOR THE PRODUCT OF THE TRADE PLACE OF THIS ALICE.
THE CERTIFICATE IS ONLY VALID WITH THE TRADE OF TECHNICAL CERTIFICATION FILE
License file: www.vov.org.uk E-mail: vov@vov.org.uk

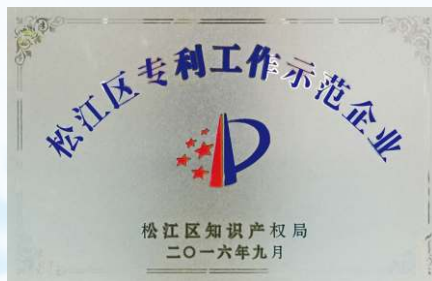
质量可信产品
CEEA
中国电器工业协会
CHINA ELECTRICAL EQUIPMENT INDUSTRY ASSOCIATION

上海康比仪表有限公司
经协会审核授予电测量仪表产品
KLY/CP系列型号为质量可信产品,有效期
三年

中国电器工业协会
二〇一四年十一月

编号:20141165

High Quality.



Digital Parameter Meter
数字显示电测量仪表
01

Digital Intelligent Parameter Meter
数字多功能电测量仪表
01

E3 Series Digital Intelligent Parameter Meter
E3系列数字多功能电测量仪表
05

Square Panel Digital Ammeter
方型数字仪表
10

Rectangular Panel Digital Ammeter
矩型数字仪表
12

DIN-Rail Digital Meter
导轨型数字仪表
15

Compact Digital Meter
小型数字仪表
15

Square panel round barrel digital meter
方圆型数字仪表
16

Digital Intelligent Parameter Meter 数字多功能电测量仪表



KLY-D96-M-C2
KLY-D120-M-C2
KLY-D144-M-C2

KLY-D96-M-C1

KLY-D96-M-E2
KLY-D120-M-E2

Product Introduction 产品介绍

Our company's digital multi-function electrical measuring instrument has beautiful appearance, exquisite and durable structure, excellent performance, stable and reliable work. It is widely used in power measurement of low-voltage or high-voltage power grids. Application scenarios include various fields of power supply and distribution systems such as ships, industrial power distribution cabinets, and subway power systems.

This instrument has two types of options: LCD screen and LED digital tube display. The models of LCD screen: KLY-D96-M-C1, KLY-D96-M-C2, KLY-D120-M-C2, KLY-D144-M-C2.

The models of LED digital tube: KLY-D96-M-E2, KLY-D96-3A-E2, KLY-D96-3V-E2, KLY-D96-AVF-E2, KLY-D120-3A-E2, KLY-D120-3V-E2, KLY-D120-AVF-E2, KLY-D120-M-E2. The six buttons on the panel can be used for customer parameter setting, with functions such as current, voltage, electricity, power, power factor, maximum average value, harmonics, and distortion measurement.

The host can be equipped with extended module functions: RS485 MODBUS communication module, analog output module, relay output module, Ethernet communication module, PT100 temperature module, digital input module, pulse output module, profibus-DP communication module, the module is powerful, the installation is convenient and firm, which meets the needs of customers for extended functions.

本公司数字多功能电测量仪表外形美观大方，结构精巧耐用，性能优良，工作稳定可靠。广泛应用于低压或高压电网的电量测量，应用场景有船舶、工业配电柜、地铁电力系统等供电系统的各个领域。

本仪表有LCD液晶屏、LED数码管显示两类可选：

LCD液晶屏型号有：KLY-D96-M-C1、KLY-D96-M-C2、KLY-D120-M-C2、KLY-D144-M-C2。

LED数码管型号有：KLY-D96-M-E2、KLY-D96-3A-E2、KLY-D96-3V-E2、KLY-D96-AVF-E2、KLY-D120-3A-E2、KLY-D120-3V-E2、KLY-D120-AVF-E2、KLY-D120-M-E2。面板六个按键可用于客户参数设置，具有电流、电压、电度、功率、功率因数、最大值平均值、谐波、失真度测量等功能。

主机可带扩展模块功能有：RS485 MODBUS 通信模块、模拟量输出模块、继电器输出模块、以太网通信模块、PT100 温度模块、数字量输入模块、脉冲输出模块、profibus-DP 通讯模块，模块功能强大，安装方便牢固，满足了客户对扩展功能的需求。

Digital Intelligent Parameter Meter 数字多功能电测量仪表



1. Enterprise Code 企业识别码：KLY

2. Digital meter identity 数字板表标识字：Default 固定为 "D"

3. Outline Dimension Code 外形尺寸代码：96, Square type 方形 96×96； 120, Square type 方形 120×120； 144, Square type 方形 144×144

4. Digital Intelligent Parameter Meter Code 数字多功能电测量仪表识别码：M, Multifunction instrument 多功能仪表

AVF, Digital three-row combination display current, voltage, Frequency

三排组合显示数字电流、电压、频率表

3V, three-phase system voltage measure meter 3V, 三相系统电压测量仪表

3A, three-phase current measure meter 3A, 三相电流测量仪表

5. Display Type 显示类型：C, LCD display 液晶显示； E, LED display 数码显示

6. Case style Description 外壳风格说明, 用数字表示：“1”. Express Front panel thickness 16.3mm, LCD display, only size 96 is optional

“1”. 表示前面板厚度16.3mm, LCD显示, 仅外形尺寸96可选

“2”. Express Front panel thickness 5.8mm

“2”. 表示前面板厚度5.8mm

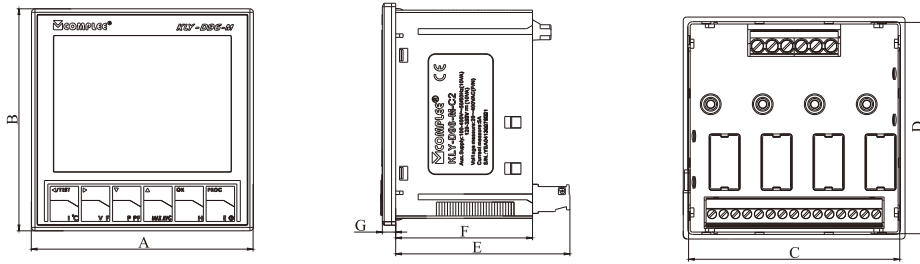
7. Function Version Description: The default is 0. 功能版本说明：默认为0

8. Auxiliary Power 辅助电源：A (Default) 默认: AC100~400V/DC120V~350V, B: DC24V

Digital Intelligent Parameter Meter 数字多功能电测量仪表

Product Description 产品描述 Technical Symbol 技术符号	Type 产品型号	Measurement Range 测量范围	Measurement Category 测量种类	Auxiliary Power 辅助电源	Accuracy Class 准确度等级	Dimension 外形尺寸	Display 显示	Expandable Module 可扩展模块				
Digital Intelligent Power Meter 数字多功能电测量仪表	KLY-D96-M-C1	Voltage电压: 20~400VAC (L-N相/中) 35~690VAC (L-L相/相) Current电流: Primary measured maximum value 一次侧最大值 99999A Secondary measured rated value 二次侧额定值: 1A,5A Frequency频率: 45~65Hz	Current 电流 Voltage电压 Frequency频率 Active Power 有功功率 Reactive Power 无功功率 Apparent Power 视在功率 Power Factor 功率因数 Voltage Unbalance 电压不平衡度 Current Unbalance 电流不平衡度 Temperature 温度 Measurement of Electrical Energy 电能测量 Total Harmonic Distortion(THD) 总谐波失真 Harmonic Distortion 谐波失真度 Harmonic Analysis 谐波分析 (2-50times 次)	A: AC100V ~ 400V DC120V ~ 350V B: DC24V	I电流:0.2 U电压:0.2 F频率:0.1 P有功功率:0.5 Q无功功率:1.0 S视在功率:1.0 PF功率因数:0.5 Ep有功电度:0.5 Eq无功电度:2.0 Es视在电度:1.0 THD谐波畸变率:1.0	96(H)×96(W)×82.6(D) Cut-out Size 开口尺寸: 92(H)×92(W)	4 Digitals LCD 4位 液晶显示	RS485 MODBUS 通信模块 (Model型号:M4851A) 4-20mA或0-10V 模拟量输出模块 (Model型号: MTRS2) 继电器输出模块 (Model型号: MREL2A) 以太网通信模块 (Model型号: METH1A) PT100温度模块 (Model型号: MTEM3A) 数字量输入模块 (Model型号: MD18A) 脉冲输出模块 (Model型号: MPUL2A) Profibus-DP通讯模块 (Model型号: MPDP1A)				
	KLY-D96-M-C2								KLY-D120-M-C2	120(H)×120(W)×82.6(D) Cut-out Size 开口尺寸: 113(H)×113(W)		
	KLY-D144-M-C2								144(H)×144(W)×82.6(D) Cut-out Size 开口尺寸: 138(H)×138(W)			
	KLY-D96-M-E2					KLY-D120-M-E2	96(H)×96(W)×82.6(D) Cut-out Size 开口尺寸: 92(H)×92(W)		4 Digitals LED 4位 数码管显示			
	KLY-D96-3A-E2					KLY-D120-3A-E2	Current电流: Primary measured maximum value 一次侧最大值 99999A Secondary measured rated value 二次侧额定值: 1A,5A		Current 电流	I电流:0.2	96(H)×96(W) ×82.6(D) Cut-out Size 开口尺寸: 92(H)×92(W) 120(H)×120(W) ×82.6(D) Cut-out Size 开口尺寸: 113(H)×113(W)	4 Digitals LED 4位 数码管显示
	KLY-D96-3V-E2					KLY-D120-3V-E2	Voltage电压: 20~400VAC (L-N相/中) 35~690VAC (L-L相/相)		Voltage 电压	U电压:0.2		
KLY-D96-AVF-E2	KLY-D120-AVF-E2	Current电流: Primary measured maximum value 一次侧最大值 99999A Secondary measured rated value 二次侧额定值: 1A,5A Voltage电压: 20~400VAC (L-N相/中) 35~690VAC (L-L相/相) Frequency频率: 45~65Hz	Current 电流 Voltage 电压 Frequency 频率	U电压:0.2 I电流:0.2 F频率:0.1								

Dimensional Drawing 外形图

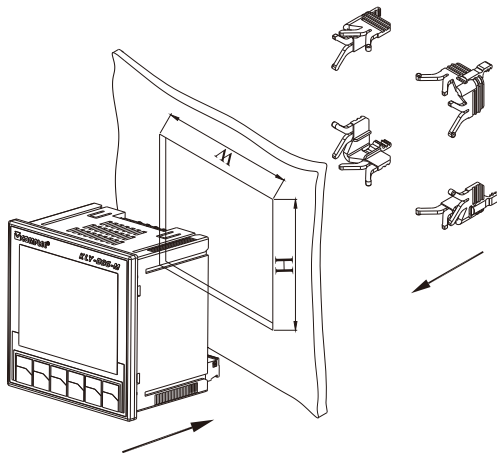


Unit单位: mm

Type产品型号	A	B	C	D	E	F	G
KLY-D96-M-C1	96	96	91.4	91.4	91.7	59.2	16.3
KLY-D96-M-C2	96	96	91.4	91.4	81.2	59.2	5.8
KLY-D120-M-C2	120	120	111.5	111.5	81.2	59.2	5.8
KLY-D144-M-C2	144	144	135	135	81.2	59.2	5.8
KLY-D96-M-E2	96	96	91.4	91.4	81.2	59.2	5.8
KLY-D120-M-E2	120	120	111.5	111.5	81.2	59.2	5.8
KLY-D96-3A-E2	96	96	91.4	91.4	81.2	59.2	5.8
KLY-D96-3V-E2	96	96	91.4	91.4	81.2	59.2	5.8
KLY-D96-AVF-E2	96	96	91.4	91.4	81.2	59.2	5.8
KLY-D120-3A-E2	120	120	111.5	111.5	81.2	59.2	5.8
KLY-D120-3V-E2	120	120	111.5	111.5	81.2	59.2	5.8
KLY-D120-AVF-E2	120	120	111.5	111.5	81.2	59.2	5.8

Installation Sketch Map 安装示意图

Mounting Illustration 安装示意

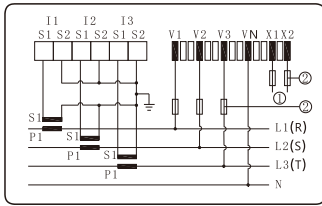


Cutout Size开口尺寸	KLY-D96-□-□	KLY-D120-□-□	KLY-D114-□-□
H	92 ^{+0.08} _{0.00}	113 ^{+0.08} _{0.00}	135 ^{+0.08} _{0.00}
W	92 ^{+0.08} _{0.00}	113 ^{+0.08} _{0.00}	135 ^{+0.08} _{0.00}

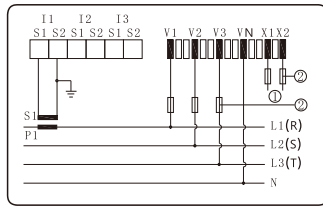
Recommended: Avoid nearing the system which generate electromagnetic interference
Avoid vibration with accelerations in excess of 1G for frequencies below 60Hz.

建议: 避免靠近可能产生电磁干扰的系统, 并且避免频率低于60Hz 加速度超过1g的振动。

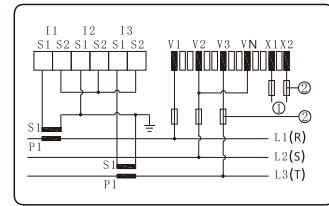
Connection Diagram 接线图



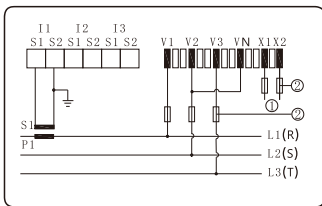
1. Digital intelligent power meter
(3P4W unbalanced load)
数字多功能电测量仪表
(三相四线不平衡式负载)
KLY-D96/D120/D144-M-4u



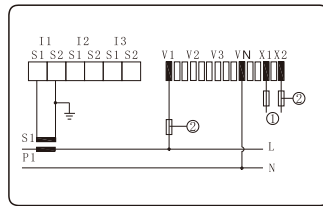
2. Digital intelligent power meter
(3P4W balanced load)
数字多功能电测量仪表
(三相四线平衡式负载)
KLY-D96/D120/D144-M-4b



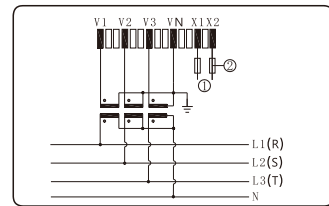
3. Digital intelligent power meter
(3P3W unbalanced load)
数字多功能电测量仪表
(三相三线不平衡式负载)
KLY-D96/D120/D144-M-3u



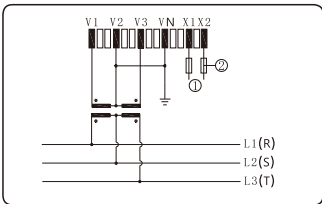
4. Digital intelligent power meter
(3P3W balanced load)
数字多功能电测量仪表
(三相三线平衡式负载)
KLY-D96/D120/D144-M-3b



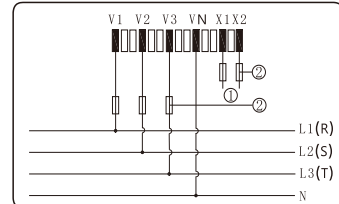
5. Digital intelligent power meter
(Single phase)
数字多功能电测量仪表
(单相)
KLY-D96/D120/D144-M-1b



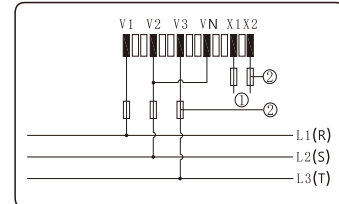
6. Digital intelligent power meter
(3P4W voltage transformer)
数字多功能电测量仪表
(三相四线电压互感器)
KLY-D96/D120/D144-M
KLY-D96/D120-3V



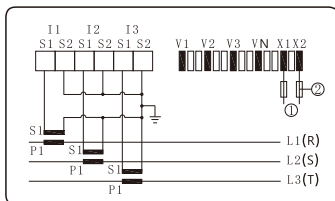
7. Digital intelligent power meter
(3P3W voltage transformer)
数字多功能电测量仪表
(三相三线电压互感器)
KLY-D96/D120/D144-M
KLY-D96/D120-3V



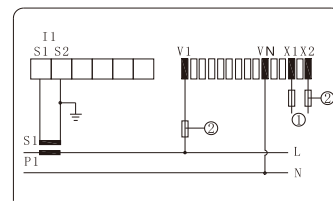
8. Digital three-row combination display voltage
(3P4W voltage)
三排组合显示数字电压表
(三相四线电压)
KLY-D96/D120-3V



9. Digital three-row combination display voltage
(3P3W voltage)
三排组合显示数字电压表
(三相三线电压)
KLY-D96/D120-3V



10. Digital three-row combination display voltage
(current wiring diagram)
三排组合显示数字电流表
(电流接线图)
KLY-D96/D120-3A



11. Digital three-row combination display current, voltage, frequency
三排组合显示数字电流、电压、频率表
KLY-D96/D120-AVF

E3 Series Digital Intelligent Parameter Meter E3系列数字多功能电测量仪表



KLY-D72-□-E3
KLY-D96-□-E3

Product Introduction 产品介绍

KLY-D72-M-E3, KLY-D72-3A-E3, KLY-D72-3V-E3, KLY-D72-AVF-E3, KLY-D96-M-E3, KLY-D96-3A-E3, KLY-D96-3V-E3, KLY-D96-AVF-E3 series of digital display electrical measuring instruments are in KLY-D96-M-C1, KLY-D96-M-C2, KLY-D96-M-E2 based on the refining design, reduce the cost of coexistence of infrequent functions, select optimization of common functions. It not only saves cost, but also improves quality, it greatly meets the needs of customers.

The product has a beautiful appearance and a five-key button on the panel, which is more convenient to operate. The instrument is equipped with RS485 MODBUS communication interface. KLY-D96-□-E3 series is equipped with expandable module is limited to 2 groups of transmission modules, 2 groups of relay modules, 2 groups of transmission modules + 2 groups of relays module.

It is produced according to the standard GB/T 22264-2008.

本公司KLY-D72-M-E3、KLY-D72-3A-E3、KLY-D72-3V-E3、KLY-D72-AVF-E3、KLY-D96-M-E3、KLY-D96-3A-E3、KLY-D96-3V-E3、KLY-D96-AVF-E3系列数字显示电测量仪表是在KLY-D96-M-C1、KLY-D96-M-C2、KLY-D96-M-E2的基础上进行精简设计的仪表，本仪表减少非常用功能共存的成本，选择常用功能的优化。既节省了成本，又提高了品质，极大的满足了客户的需求。

本产品外形美观，面板为五个按钮，操作更为方便，仪表本体标配RS485 MODBUS通信接口，KLY-D96-□-E3系列配置有可扩展模块内置固定不可插拔，限定可选2组变送模块、2组继电器模块、2组变送模块+2组继电器模块。

采用GB/T 22264-2008标准生产。

E3 Series Digital Parameter Meter E3系列数字显示电测量仪表



1. Enterprise Code 企业识别码: KLY

2. Digital meter identity 数字表板标识字: Default 固定为 "D"

3. Outline Dimension Code 外形尺寸代码: 72, Square type 方形 72 × 72
96, Square type 方形 96 × 96

4. Meter Code 仪表识别码: M, 3A, 3V, AVF

5. Display Type 显示类型: E, LED display 显示

6. Case style Description 外壳风格说明: On the basis of E2, the protruding parts of the shell remain unchanged, the buttons are designed with 5 keys, and the functions are simplified and numbered.
在E2的基础上，外壳突出部位不变，按键设计为5个键，功能上进行精简后的编号

7. Additional Function 附加功能: Default 缺省: no relay alarm output, no analog output 无继电器报警输出、无模拟量输出

R: With 2-way relay alarm output 带2路继电器报警输出

T: With 2 analog outputs 带2路模拟量输出

RT: With 2 relay alarm outputs and 2 analog outputs 带2路继电器报警输出和带2路模拟量输出

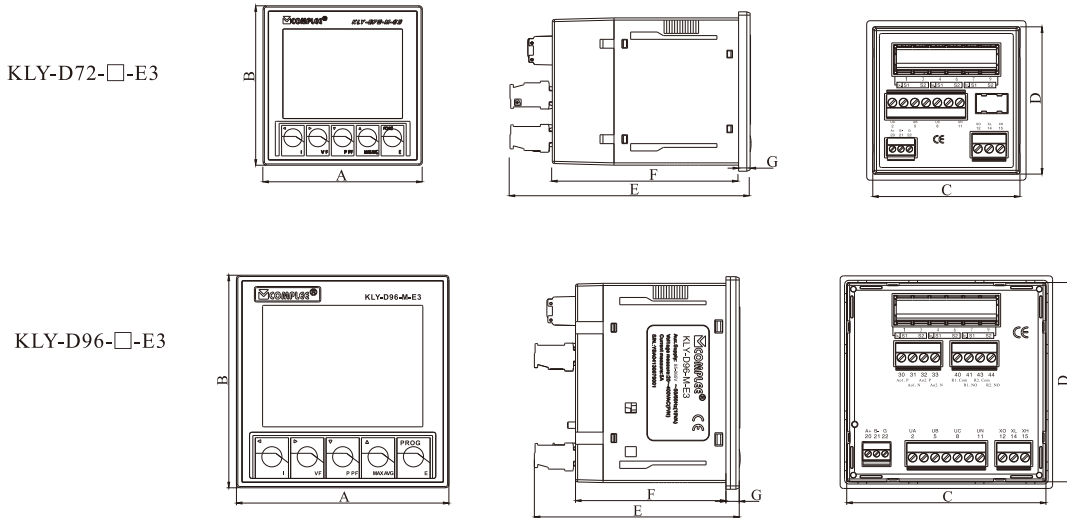
8. Auxiliary Power 辅助电源: C: DC24V

D: AC85V ~ 265V DC85V ~ 265V

E3 Series Digital Intelligent Parameter Meter E3系列数字多功能电测量仪表

Product Description 产品描述 Technical Symbol 技术符号	Type 产品型号	Measurement Range 测量范围	Measurement Category 测量种类	Auxiliary Power 辅助电源	Accuracy Class 准确度等级	Dimension 外形尺寸	Display 显示	Extended function 扩展功能
E3 Series Digital Intelligent Power Meter E3系列数字多功能电测量仪表	KLY-D72-M-E3	Voltage电压: 20~400VAC (L-N相/中) 35~690VAC (L-L相/相) Current电流: Primary measured maximum value 一次测最大值 99999A Secondary measured rated value 二次测额定值: 1A,5A Frequency频率: 45~65Hz	Current 电流 Voltage电压 Frequency频率 Active Power 有功功率 Reactive Power 无功功率 Apparent Power 视在功率 Power Factor 功率因数 Voltage Unbalance 电压不平衡度 Current Unbalance 电流不平衡度 Temperature 温度 Measurement of Electrical Energy 电能测量	C: DC24V D: AC85V ~ 265V DC85V ~ 265V	I电流:0.2 U电压:0.2 F频率:0.1 P有功功率:0.5 Q无功功率:1.0 S视在功率:1.0 PF功率因数:0.5 Ep有功电度:0.5 Eq无功电度:2.0 Es视在电度:1.0	72(H)×72(W)×108(D) Cut-out Size 开口尺寸: 68(H)×68(W)	4 Digits LED 4位 数码管显示	RS485 communication is standard 标配485通信
	KLY-D96-M-E3	96(H)×96(W)×92.6(D) Cut-out Size 开口尺寸: 92(H)×92(W)	RS485 communication is standard With 2-way relay alarm output With 2 analog outputs With 2-way relay alarm outputs and 2 analog outputs 标配485通信, 带2路模拟量输出模块, 带2路继电器输出模块, 带2路模拟量输出模块 +2路继电器输出模块					
	KLY-D72-3A-E3	Current电流: Primary measured maximum value 一次侧最大值 99999A Secondary measured rated value 二次侧额定值: 1A,5A	Current 电流	C: DC24V D: AC85V ~ 265V DC85V ~ 265V	I电流:0.2	72(H)×72(W)×108.4(D) Cut-out Size 开口尺寸: 68(H)×68(W)	4 Digits LED 4位 数码管显示	RS485 communication is standard 标配485通信
	KLY-D72-3V-E3	Voltage电压: 20~400VAC (L-N相/中) 35~690VAC (L-L相/相)	Voltage 电压		U电压:0.2			
	KLY-D72-AVF-E3	Current电流: Primary measured maximum value 一次侧最大值 99999A Secondary measured rated value 二次侧额定值: 1A,5A Voltage电压: 20~400VAC (L-N相/中) 35~690VAC (L-L相/相) Frequency频率: 45~65Hz	Current 电流 Voltage 电压 Frequency 频率	C: DC24V D: AC85V ~ 265V DC85V ~ 265V	I电流:0.2 U电压:0.2 F频率:0.1	96(H)×96(W)×92.6(D) Cut-out Size 开口尺寸: 92(H)×92(W)	4 Digits LED 4位 数码管显示	RS485 communication is standard With 2-way relay alarm output With 2 analog outputs With 2-way relay alarm outputs and 2 analog outputs 标配485通信, 带2路模拟量输出模块, 带2路继电器输出模块, 带2路模拟量输出模块 +2路继电器输出模块
	KLY-D96-3A-E3	Current电流: Primary measured maximum value 一次侧最大值 99999A Secondary measured rated value 二次侧额定值: 1A,5A	Current 电流		I电流:0.2			
	KLY-D96-3V-E3	Voltage电压: 20~400VAC (L-N相/中) 35~690VAC (L-L相/相)	Voltage 电压	C: DC24V D: AC85V ~ 265V DC85V ~ 265V	U电压:0.2	96(H)×96(W)×92.6(D) Cut-out Size 开口尺寸: 92(H)×92(W)	4 Digits LED 4位 数码管显示	RS485 communication is standard With 2-way relay alarm output With 2 analog outputs With 2-way relay alarm outputs and 2 analog outputs 标配485通信, 带2路模拟量输出模块, 带2路继电器输出模块, 带2路模拟量输出模块 +2路继电器输出模块
	KLY-D96-AVF-E3	Current电流: Primary measured maximum value 一次侧最大值 99999A Secondary measured rated value 二次侧额定值: 1A,5A Voltage电压: 20~400VAC (L-N相/中) 35~690VAC (L-L相/相) Frequency频率: 45~65Hz	Current 电流 Voltage 电压 Frequency 频率	I电流:0.2 U电压:0.2 F频率:0.1				

Dimensional Drawing 外形图

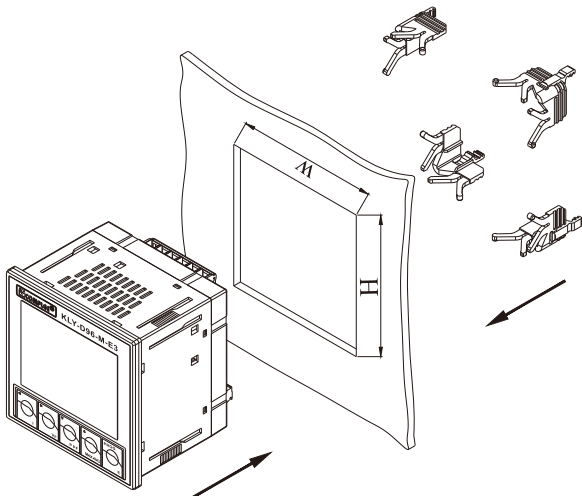


Unit单位: mm

Type产品型号	A	B	C	D	E	F	G
KLY-D72-M-E3	72	72	66.5	66.5	108.4	84.2	5.2
KLY-D72-3A-E3	72	72	66.5	66.5	108.4	84.2	5.2
KLY-D72-3V-E3	72	72	66.5	66.5	108.4	84.2	5.2
KLY-D72-AVF-E3	72	72	66.5	66.5	108.4	84.2	5.2
KLY-D96-M-E3	96	96	90	90	92.6	68.8	5.2
KLY-D96-3A-E3	96	96	90	90	92.6	68.8	5.2
KLY-D96-3V-E3	96	96	90	90	92.6	68.8	5.2
KLY-D96-AVF-E3	96	96	90	90	92.6	68.8	5.2

Installation Sketch Map 安装示意图

Mounting Illustration 安装示意

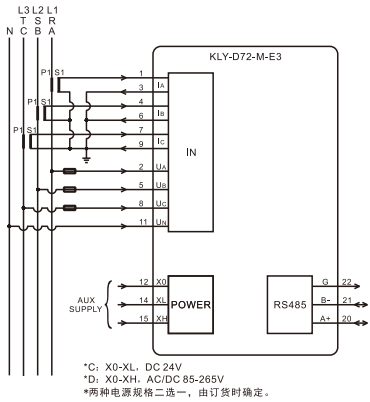


Cutout Size开口尺寸	KLY-D72-□-E3	KLY-D96-□-E3
H	68 ^{+0.08} _{0.00}	92 ^{+0.08} _{0.00}
W	68 ^{+0.08} _{0.00}	92 ^{+0.08} _{0.00}

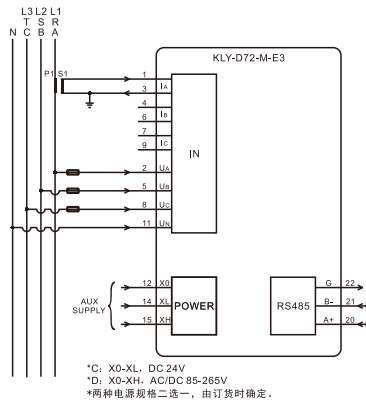
Recommended: Avoid nearing the system which generate electromagnetic interference
Avoid vibration with accelerations in excess of 1G for frequencies below 60Hz.

建议: 避免靠近可能产生电磁干扰的系统, 并且避免频率低于60Hz 加速度超过1g的振动。

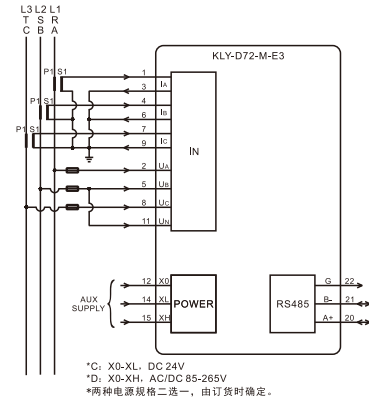
KLY-D72-□-E3 Connection Diagram 接线图



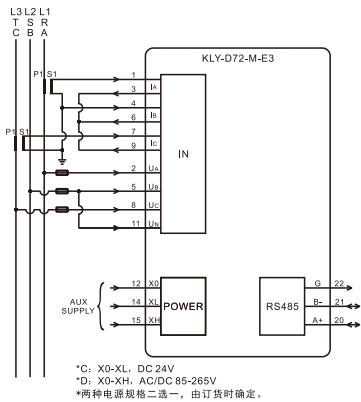
1. Digital intelligent power meter
(3P4W unbalanced load)
数字多功能电测量仪表
(三相四线不平衡负载)
KLY-D72-M-E3-4u



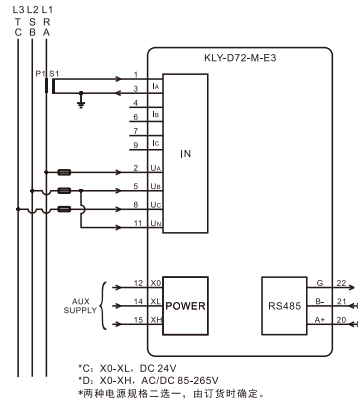
2. Digital intelligent power meter
(3P4W balanced load)
数字多功能电测量仪表
(三相四线平衡负载)
KLY-D72-M-E3-4b



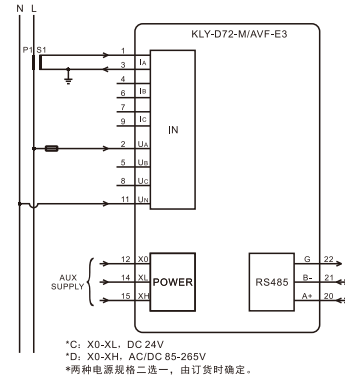
3. Digital intelligent power meter
(3P3W unbalanced load-3CT)
数字多功能电测量仪表
(三相三线不平衡负载-三元件)
KLY-D72-M-E3-3u



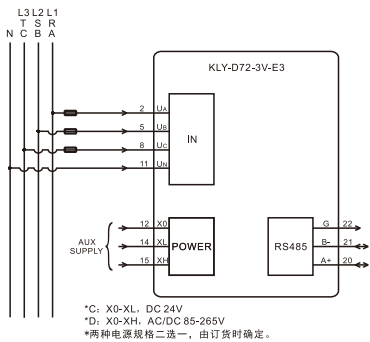
4. Digital intelligent power meter
(3P3W unbalanced load-2CT)
数字多功能电测量仪表
(三相三线不平衡负载-二元件)
KLY-D72-M-E3-3u



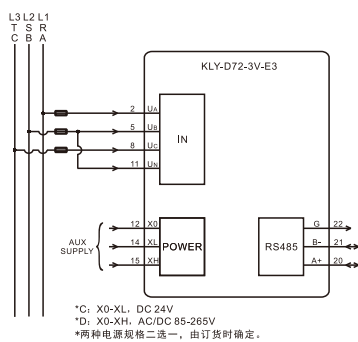
5. Digital intelligent power meter
(3P3W balanced load)
数字多功能电测量仪表
(三相三线平衡负载)
KLY-D72-M-E3-3b



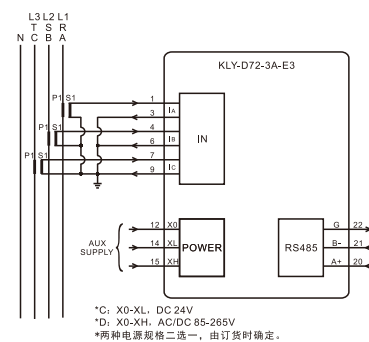
6. Digital intelligent power meter
(Single phase)
数字多功能电测量仪表
(单相)
KLY-D72-M/AVF-E3-1b



7. Digital intelligent power meter
(3P4W voltage)
数字多功能电测量仪表
(三相四线电压)
KLY-D72-3V-E3



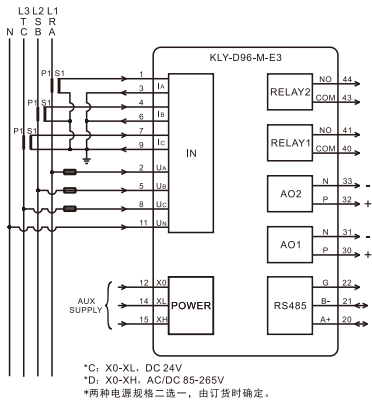
8. Digital intelligent power meter
(3P3W voltage)
数字多功能电测量仪表
(三相三线电压)
KLY-D72-3V-E3



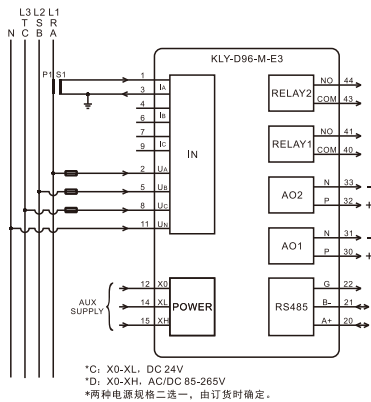
9. Digital intelligent power meter
(current wiring diagram)
数字多功能电测量仪表
(电流线路图)
KLY-D72-3A-E3

KLY-D96-□-E3

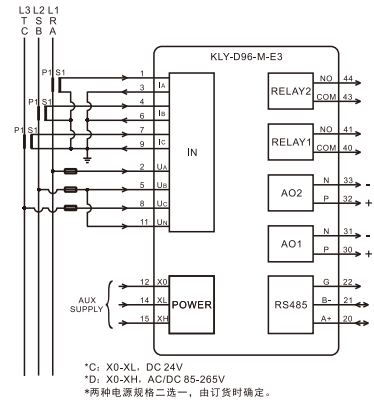
Connection Diagram 接线图



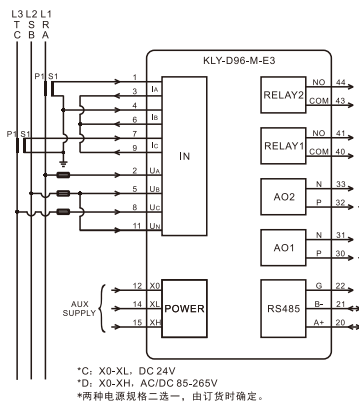
1. Digital intelligent power meter
(3P4W unbalanced load)
数字多功能电测量仪表
(三相四线不平衡负载)
KLY-D96-M-E3-4u



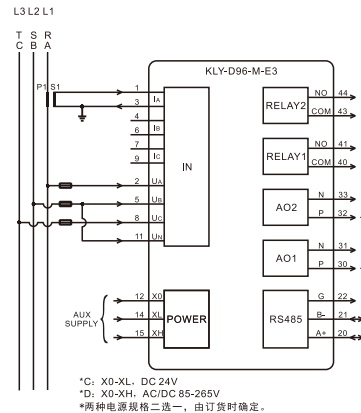
2. Digital intelligent power meter
(3P4W balanced load)
数字多功能电测量仪表
(三相四线平衡负载)
KLY-D96-M-E3-4b



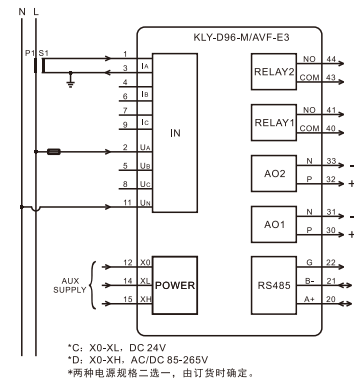
3. Digital intelligent power meter
(3P3W unbalanced load-3CT)
数字多功能电测量仪表
(三相三线不平衡负载-三元件)
KLY-D96-M-E3-3u



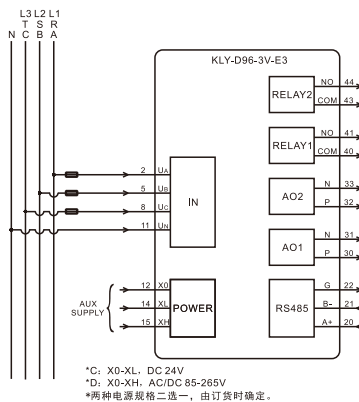
4. Digital intelligent power meter
(3P3W unbalanced load-2CT)
数字多功能电测量仪表
(三相三线不平衡负载-二元件)
KLY-D96-M-E3-3u



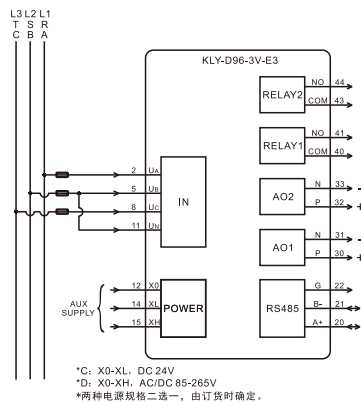
5. Digital intelligent power meter
(3P3W balanced load)
数字多功能电测量仪表
(三相三线平衡负载)
KLY-D96-M-E3-3b



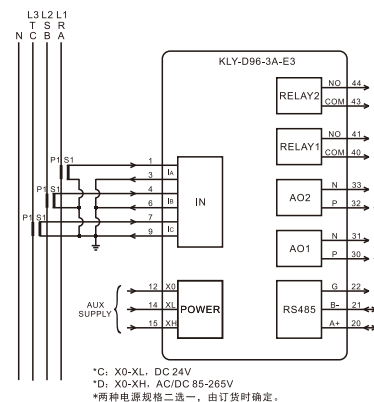
6. Digital intelligent power meter
(Single phase)
数字多功能电测量仪表
(单相)
KLY-D96-M-AVF-E3-1b



7. Digital intelligent power meter
(3P4W voltage)
数字多功能电测量仪表
(三相四线电压)
KLY-D96-3V-E3



8. Digital intelligent power meter
(3P3W voltage)
数字多功能电测量仪表
(三相三线电压)
KLY-D96-3V-E3



9. Digital intelligent power meter
(current wiring diagram)
数字多功能电测量仪表
(电流线路图)
KLY-D96-3A-E3



Square Panel Digital Ammeter
方形数字仪表



Rectangular Panel Digital Ammeter
矩型数字仪表

Product Introduction 产品介绍

CP-D72, CP-D96, KLY-D72, KLY-D96, KLY-D120, KLY-D9681, KLY-D3, KLY-D3 extension series products are digital display electrical measuring instruments, which can be configured with RS485 MODBUS communication interface, and the product has a beautiful appearance. Convenient operation and reliable function.

It is produced according to the standard GB/T 22264-2008.

本公司CP-D72、CP-D96、KLY-D72、KLY-D96、KLY-D120、KLY-D9681、KLY-D3、KLY-D3加长系列产品为数字显示电测量仪表，可配置RS485 MODBUS通信接口，产品外形美观，操作方便，功能可靠。

采用GB/T 22264-2008标准生产。

Square Panel, Rectangular Panel Digital Ammeter 方型/矩型数字仪表






1. Enterprise Code 企业识别码: KLY、CP (only old products 仅老产品 72、96)
2. Digital meter identity 数字板表标识字: Default 固定为 "D"
3. Outline Dimension Code 外形尺寸代码: 3, Rectangle type 矩形 48×96
3 (加长), Rectangle type 矩形 48×96
72, Square type 方形 72×72 (new and old products coexist 新、老产品共存)
96, Square type 方形 96×96 (new and old products coexist 新、老产品共存)
120, Square type 方形 120×120
9681, Rectangle type 矩形 48×96
4. Measurement Type 测量类型: Measurement type that the input signal cannot express 输入信号无法表述的测量类型: F、PF、W、Var
Current、voltage, When it's required, please write it, If no, please omit. 电流、电压, 有需求时书写, 如无省略。
5. Display Type 显示类型: Current and voltage are expressed in the form of transformation ratio 电流、电压以变比形式表述: 100/5A, 35KV/100V.
Non electric quantity display 非电量显示: 2500r/min, 1MPa.
6. Input Signal 输入信号: Input signal for non electric quantity display 非电量显示时应对应的输入信号.
7. Display digits 显示位数
8. Signal Type 信号类型: DC 直流, AC 交流
9. Auxiliary Power 辅助电源
10. Transmitting Output 变送输出: 0-20mA、4-20mA、0-10V、2-10V
When it's required, please write it, If no, please omit. 有需求时书写, 如无省略。
11. Communication Mode 通讯方式: RS485
When it's required, please write it, If no, please omit. 有需求时书写, 如无省略
12. Alarm Function 报警功能
When it's required, please write it, If no, please omit. 有需求时书写, 如无省略



Roat: only new products have this function for item 10-12

备注: 10-12项仅新产品有此功能

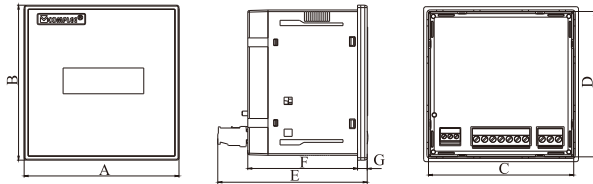
Square Panel Digital Ammeter方型数字仪表

Picture 图片	Product Description 产品描述 Technical Symbol 技术符号	Type 产品型号	Measurement Range 测量范围	Auxiliary Power 辅助电源	Accuracy Class 准确度等级	Dimension 外形尺寸	Display Digits 显示位数	Others 其它
	Digital Ammeter 数字电流表	CP-D72-A	AC 0...100mA-0...10A DC 0...1mA-0...10A	AC110V ± 10% AC 220V ± 10% DC 24V	0.5	72(H) × 72(W) × 71(D)	3 1/2	Operating Frequency 工作频率: 50Hz,60Hz
	Digital Voltmeter 数字电压表	CP-D72-V	AC 0...10V-0...500V DC 0...50mV-0...500V		0.5		3 1/2	
	Digital Frequency Meter 数字频率表	CP-D72-F	0...1Hz-0...9999Hz		0.1	4		
	Digital Ammeter 数字电流表	CP-D96-A	AC 0...100mA-0...10A DC 0...1mA-0...10A	AC110V ± 10% AC 220V ± 10% DC 24V	0.5	96(H) × 96(W) × 71(D)	3 1/2	Operating Frequency 工作频率: 50Hz,60Hz
	Digital Voltmeter 数字电压表	CP-D96-V	AC 0...10V-0...500V DC 0...50mV-0...500V		0.5		3 1/2	
	Digital Frequency Meter 数字频率表	CP-D96-F	0...1Hz-0...9999Hz		0.1	4		
	Digital Three-row Combination Display Ammeter 三排显示数字电流表	KLY-D120-3A	AC 0...100mA-0...10A DC 0...1mA-0...10A	AC110V ± 10% AC 220V ± 10% DC 24V	0.5	120(H) × 120(W) × 75(D) Cut-out Size 开口尺寸 113(H) × 113(W)	3 1/2	Operating Frequency 工作频率: 50Hz,60Hz
	Digital Three-row Combination Display Voltmeter 三排显示数字电压表	KLY-D120-3V	AC 0...10V-0...500V DC 0...50mV-0...500V		0.5		3 1/2	
	Digital Three-row Combination Display current, voltage, frequency 三排组合显示数字电流、 电压、频率表	KLY-D120-AVF	AC 0...100A-0...10A DC 0...1mA-0...10A AC 0...10V-0...500V DC 0...50mV-0...500V 0...1Hz-0...9999Hz		A, V: 0.5 F: 0.1	3 1/2		
	Square Type Digital Ammeter 方型数字电流表	KLY-D72-A	AC 100mA~10A DC 1mA~10A	AC/DC 100~415V DC 24V	0.5	Dimension 外形尺寸: 72(H) × 72(W) × 121(D)	4	Current voltage ratio settable Operating Frequency 电 流、电 压 倍 率 可 设 置、 工 作 频 率: 50Hz/60Hz
	Square Type Digital Voltmeter 方型数字电压表	KLY-D72-V	AC 10~600VDC DC 60mV~600V		0.5		4	
	Square Type Digital Frequency Meter 方型数字频率表	KLY-D72-F	Measuring range 测量范围: 40~99.99Hz		0.1		4	
	Square Type Digital Power Factor Meter 方型数字功率因素表	KLY-D72-PF	Measuring range 测量范围:0~360° phase angle 相角		0.5	4		
	Square Type Digital Active Power Meter 方型数字有功功率表	KLY-D72-W	Measuring 1P power 测量单相功率: 0~9999MW		0.5	4		
	Square Type Digital Reactive Power Meter 方型数字无功功率表	KLY-D72-Var	Measuring 1P power 测量单相功率: 0~9999MVar		0.5	4		
	Square Type Digital Ammeter 方型数字电流表	KLY-D96-A	AC 100mA~10A DC 1mA~10A		0.5	4		
	Square Type Digital Voltmeter 方型数字电压表	KLY-D96-V	AC 10~600VDC DC 60mV~600V		0.5	4		
	Square Type Digital Frequency Meter 方型数字频率表	KLY-D96-F	Measuring range 测量范围: 40~99.99Hz		0.5	4		
	Square Type Digital Power Factor Meter 方型数字功率因素表	KLY-D96-PF	Measuring range 测量范围:0~360° phase angle 相角		0.5	4		
	Square Type Digital Active Power Meter 方型数字有功功率表	KLY-D96-W	Measuring 1P power 测量单相功率: 0~9999MW		0.5	4		
Square Type Digital Reactive Power Meter 方型数字无功功率表	KLY-D96-Var	Measuring 1P power 测量单相功率: 0~9999MVar	0.5	4				

Rectangular Panel Digital Ammeter 矩型数字仪表

Picture 图片	Product Description 产品描述 Technical Symbol 技术符号	Type 产品型号	Measurement Range 测量范围	Auxiliary Power 辅助电源	Accuracy Class 准确度等级	Dimension 外形尺寸	Display Digits 显示位数	Others 其它
	Rectangular Type Digital Ammeter 矩型数字电流表	KLY-D9681-A	AC 0...100mA-0...10A DC 0...1mA-0...10A	AC/DC 100-415V	0.5	Dimension 外形尺寸: 48(H) × 96 (W) × 113(D)	4	Current voltage ratio settable Operating Frequency 电 流、电 压 倍 率 可 设 置、 工 作 频 率: 50Hz/60Hz
	Rectangular Type Digital Voltmeter 矩型数字电压表	KLY-D9681-V	AC 10~600VDC DC 60mV~600V		0.5		4	
	Rectangular Type Digital Frequency Meter 矩型数字频率表	KLY-D9681-F	Measuring range 测量范围: 40~99.99Hz		0.5		4	
	Rectangular Type Digital Power Factor Meter 矩型数字功率因素表	KLY-D9681-PF	Measuring range 测量范围:0~360° phase angle 相角	DC 24V	0.5		4	
	Rectangular Type Digital Active Power Meter 矩型数字有功功率表	KLY-D9681-W	Measuring 1P power 单相功率 0-9999MW	0.5	4			
	Rectangular Type Digital Reactive Power Meter 矩型数字无功功率表	KLY-D9681-Var	Measuring 1P power 单相功率 0-9999MVar	0.5	4			
	Digital Ammeter 数字电流表	KLY-D3-A	AC 0...100mA-0...10A DC 0...1mA-0...10A	AC 110V ± 10% AC 220V ± 10% DC 24V	0.5	Dimension 外形尺寸: 48(H) × 96 (W) × 113(D)	3 ½ 4 ½	工作频率: 50Hz/60Hz
	Digital Voltmeter 数字电压表	KLY-D3-V	AC 0...10V-0...500V DC 0...50mV-0...500V		0.5		3 ½ 4 ½	
	Digital Frequency Meter 数字频率表	KLY-D3-F	0...1Hz-0...9999Hz	0.1	4			
	Digital Power Factor Meter 数字功率因数表	KLY-D3-PF	0.5-1.0	0.5	4			
	Digital Active Power Meter 数字有功功率表	KLY-D3-W	Measuring 1P power 单相功率 0-9999MW	0.5	Dimension 外形尺寸: 48(H) × 96 (W) × 109.2(D)	3 ½ 4 ½		
			Measuring 3P power 三相功率 0-9999MW					
	Digital Reactive Power Meter 数字无功功率表	KLY-D3-Var	Measuring 1P reactive power 单相无功功率 0-9999MVar	0.5	Dimension 外形尺寸: 48(H) × 96 (W) × 109.2(D)	3 ½ 4 ½		
Measuring 3P reactive power 三相无功功率 0-9999MVar								
Digital Ammeter, Voltmeter Meter 数字电流、电压表	KLY-D3(加长型)	AC 0...10V-0...500V DC 0...50mV-0...500V AC 0...100mA-0...10A DC 0...1mA-0...10A 0...1Hz-0...9999Hz	100 ~ 400VAC 120 ~ 350VDC DC 24V	0.5	Dimension 外形尺寸: 48(H) × 96 (W) × 143(D)	4	RS485 MODBUS RS485 MODBUS通信 Transmission output 变送输出 Alarm output 报警输出	

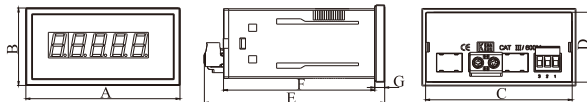
Dimensional Drawing 外形图
Figure 图1



Unit单位: mm Figure图1

Type产品型号	A	B	C	D	E	F	G
CP-D72	72	72	67	66	71	50	6.3
CP-D96	96	96	91.2	90	71	50	6.3
KLY-D72	72	72	67	66	121	96	7.2
KLY-D96	96	96	90.5	90.5	112	95.2	5.6
KLY-D120	120	120	111.5	111.5	75	53	6

Figure 图2



Unit单位: mm Figure图2

Type产品型号	A	B	C	D	E	F	G
KLY-D9681	96	48	91.5	43.5	113	94.8	6.2
KLY-D3-A/V	96	48	91.5	43.5	113	94.8	6.2

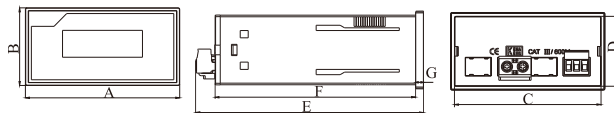
Figure 图3



Unit单位: mm Figure图3

Type产品型号	A	B	C	D	E	F	G
KLY-D3-F	96	48	91	44	109	103	6
KLY-D3-PF	96	48	91	44	109	103	6
KLY-D3-W(单相)	96	48	91	44	109	103	6
KLY-D3-Var(单相)	96	48	91	44	109	103	6

Figure 图4

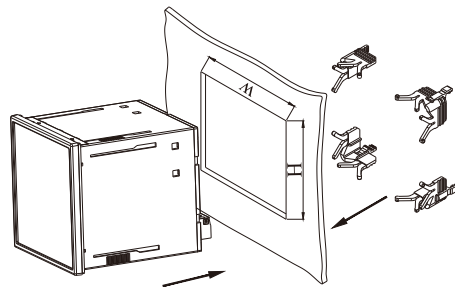


Unit单位: mm Figure图4

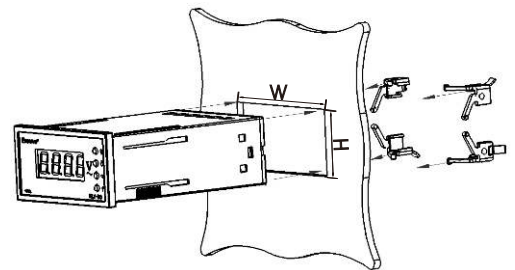
Type产品型号	A	B	C	D	E	F	G
KLY-D3-W(三相)	96	48	91.5	43.5	143	125.4	6
KLY-D3-Var(三相)	96	48	91.5	43.5	143	125.4	6
KLY-D3-(加长型)	96	48	91.5	43.5	143	125.4	6

Installation Sketch Map 安装示意图

Mounting Illustration 安装示意



Square Panel Digital Ammeter
方形数字仪表



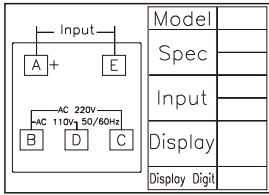
Rectangular Panel Digital Ammeter
矩型数字仪表

Cutout Size开口尺寸	KLY/CP-D72-□	KLY/CP-D96-□	KLY-D120-□	KLY-D9681/D3-□	KLY-D3 (Lengthened加长型)
H	68 ^{+0.08} _{0.00}	92 ^{+0.08} _{0.00}	113 ^{+0.08} _{0.00}	92 ^{+0.08} _{0.00}	92 ^{+0.08} _{0.00}
W	68 ^{+0.08} _{0.00}	92 ^{+0.08} _{0.00}	113 ^{+0.08} _{0.00}	44 ^{+0.08} _{0.00}	44.5 ^{+0.08} _{0.00}

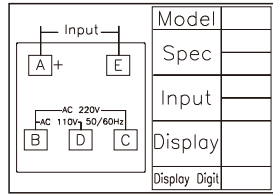
Recommended: Avoid nearing the system which generate electromagnetic interference Avoid vibration with accelerations in excess of 1G for frequencies below 60Hz.

建议: 避免靠近可能产生电磁干扰的系统, 并且避免频率低于60Hz 加速度超过1g的振动。

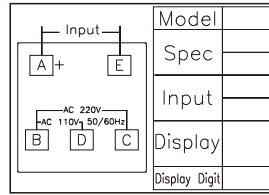
Connection Diagram 接线图



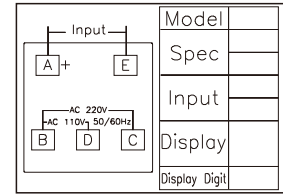
1. Digital ammeter meter
数字电流表
CP-D72A



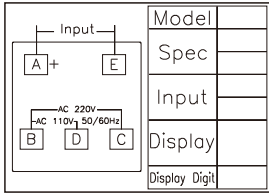
2. Digital voltmeter meter
数字电压表
CP-D72V



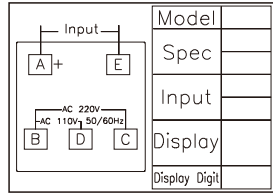
3. Digital frequency meter
数字频率表
CP-D72F



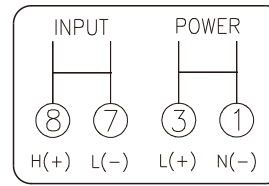
4. Digital ammeter meter
数字电流表
CP-D96A



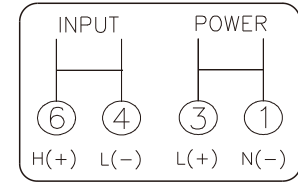
5. Digital voltmeter meter
数字电压表
CP-D96V



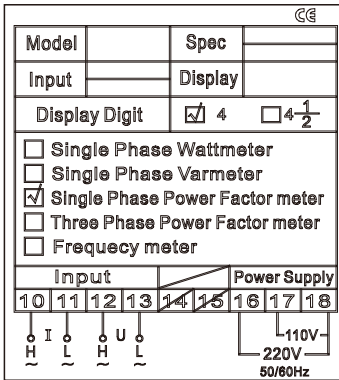
6. Digital Frequency meter
数字频率表
CP-D96F



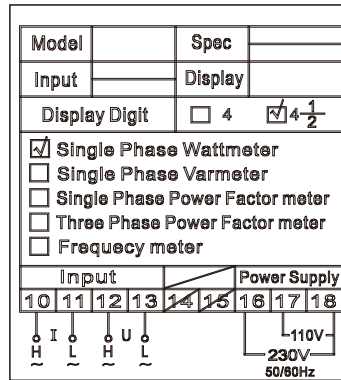
7. Digital AC/DC ammeter meter
数字交直流电流表
KLY-D3A



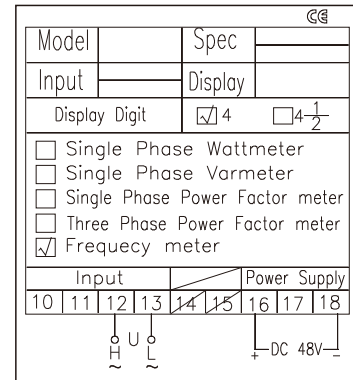
8. Digital AC/DC voltmeter meter
数字交直流电压表
KLY-D3V



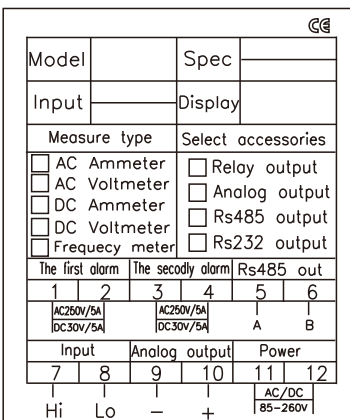
9. Digital power factor meter
数字功率因数表
KLY-D3PF



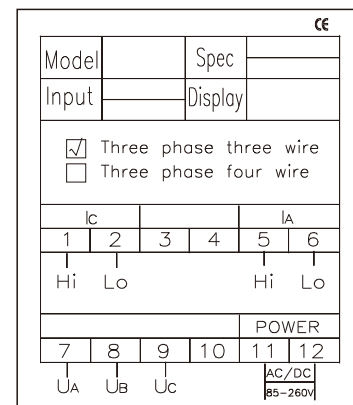
10. Digital active power meter (1P power)
数字有功功率表 (单相功率)
KLY-D3W/Var



11. Digital frequency meter
数字频率表
KLY-D3F



12. Digital Ammeter, Voltmeter Meter
数字电流、电压表
KLY-D3(加长型)



13. Digital reactive power meter (3P reactive power)
数字无功功率表 (三相无功功率)
KLY-D3W/Var

Product Introduction 产品介绍

KLY-D365, KLY-D725, KLY-D842, KLY-D1101 series products are digital display electrical measuring instruments designed for users on special occasions, with beautiful appearance, convenient operation and reliable functions.

It is produced according to the standard GB/T 22264-2008.

本公司KLY-D365、KLY-D725、KLY-D842、KLY-D1101、系列产品为用户特殊场合设计的数字显示电测量仪表，产品外形美观，操作方便，功能可靠。

采用GB/T 22264-2008标准生产。

DIN-Rail, Compact, Square Panel Round Barrel Digital Meter 导轨型/小型/方圆型数字仪表



1. Enterprise Code 企业识别码: KLY

2. Digital meter identity 数字板表标识字: Default 固定为 "D"

3. Outline Dimension Code 外形尺寸代码: 365, Rectangle type 矩形 87.2 × 36.5

725, Rectangle type 矩形 87.2 × 36.5

842, Rectangle type 矩形 42 × 79

1101, Square Panel Round 方圆形 110 × 110


4. Measurement Type 测量类型: A、V

5. Input Signal 输入型号


6. Signal Type 信号类型: DC 直流, AC 交流

7. Auxiliary Power 辅助电源

DIN-Rail Digital Meter 导轨型数字仪表

Picture 图片	Product Description 产品描述 Technical Symbol 技术符号	Type 产品型号	Measurement Range 测量范围	Auxiliary Power 辅助电源	Accuracy Class 准确度等级	Dimension 外形尺寸	Display Digits 显示位数	Others 其它
	Digital Ammeter 数字电流表	KLY-D365A	AC 0...100mA-0...10A DC 0...1mA-0...10A	A: AC110V ± 10% DC220V ± 10% B: DC24V	0.5	87.2(H) × 35.5(W) × 65.5(D) DIN Rail Size 导轨尺寸: 35	3	Operating Frequency 工作频率: 50Hz, 60Hz
	Digital Voltmeter 数字电压表	KLY-D365V	AC 0...10V-0...500V DC 0...50mV-0...500V		0.5		3	
	Digital Ammeter 数字电流表	KLY-D725A	AC 0...100mA-0...10A DC 0...1mA-0...10A		0.5	87.2(H) × 72(W) × 68.5(D) DIN Rail Size 导轨尺寸: 35	3	
	Digital Voltmeter 数字电压表	KLY-D725V	AC 0...10V-0...500V DC 0...50mV-0...500V		0.5		3	

Compact Digital Meter 小型数字仪表

Picture 图片	Product Description 产品描述 Technical Symbol 技术符号	Type 产品型号	Measurement Range 测量范围	Auxiliary Power 辅助电源	Accuracy Class 准确度等级	Dimension 外形尺寸	Display Digits 显示位数	Others 其它
	Digital Ammeter 数字电流表	KLY-D842A	AC 0...100mA-0...2A DC 0...1mA-0...2A	AC 12V DC 5V, 12V	0.5	42(H) × 79(W) × 25(D) Cut-out Size 开口尺寸 39(H) × 76(W)	3 1/2	Operating Frequency 工作频率: 50Hz, 60Hz Adopting Encapsulation Crafts(G) 采用灌封 工艺(G)
	Digital Voltmeter 数字电压表	KLY-D842V	AC 0...10V-0...300V DC 0...50mV-0...300V		0.5		3 1/2	

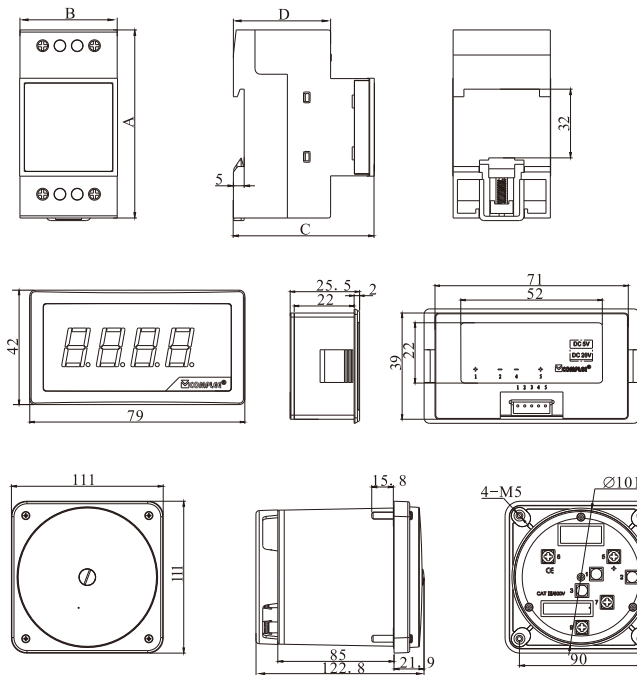
Ordering note: If high ingress protection (Encapsulation) is required, please add "G" behind the model number.

订货须知: 如需高防护等级 (灌封工艺), 请在型号后加G字。

Square panel round barrel digital meter 方圆型数字仪表

Picture 图片	Product Description Technical Symbol 产品描述 技术符号	Type 产品型号	Measurement Range 测量范围	Auxiliary Power 辅助电源	Accuracy Class 准确度等级	Dimension 外形尺寸	Display Digits 显示位数	Others 其它
	Digital Ammeter 数字电流表	KLY-D1101A	AC 0...100mA-0...10A DC 0...1mA-0...10A	AC/DC 85-260V	0.5	110(H) × 110(W) × 124(D)	3 1/2	Operating Frequency 工作频率: 50Hz, 60Hz
	Digital Voltmeter 数字电压表	KLY-D1101V	AC 0...10V-0...500V DC 0...50mV-0...500V	DC 24V	0.5	Cut-out Size 开口尺寸 φ 103	3 1/2	

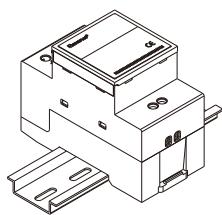
Dimension on DIN-Rail Digital Meter 导轨型数字表尺寸



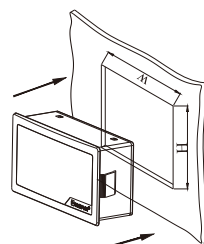
Unit单位: mm		Figure图1				
Type产品型号	A	B	C	D	No. of Terminals 接线端子数目	Size of DIN-Rail 导轨尺寸
KLY-D365A	87	35.5	65.5	42.5	4	35
KLY-D365V	87	35.5	65.5	42.5	4	35
KLY-D725A	87	72	68.5	45.7	12	35
KLY-D725V	87	72	68.5	45.7	12	35

Installation Sketch Map 安装示意图

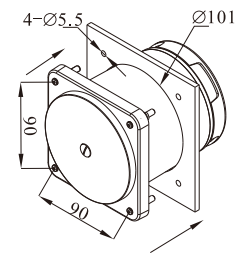
Mounting Illustration 安装示意



DIN-Rail type 导轨式
(KLY-D365, 725)

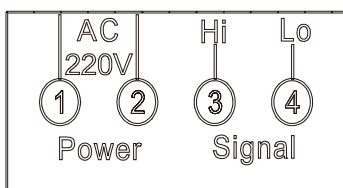


Cut-out Size
开口尺寸
39(H) × 76(W)
Pushing Tight type 推紧式
(KLY-D842)

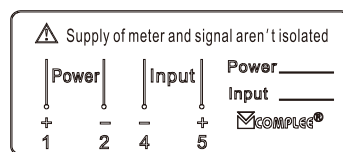


Cut-out Size
开口尺寸
90 × 101mm
Surface Mount
螺栓紧固式
(KLY-D1101)

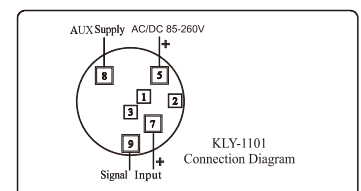
Connection Diagram 接线图



1. Digital AC/DC ammeter and voltmeter
数字交直流电流电压表
KLY-D365V/D725V



2. Digital AC/DC ammeter and voltmeter
数字交直流电流电压表
KLY-D842A/V



3. Digital AC/DC ammeter and voltmeter
数字交直流电流电压表
KLY-D1101A/V

