

SGC 120 Mk II

Single Genset Controller

User manual

4139341364A



1. Introduction	
1.1 About	5
1.1.1 Function overview	5
1.2 About the User manual	6
1.2.1 General purpose	6
1.2.2 Software version	6
1.3 Warnings and safety	6
1.4 Legal information	7
2. Installation	
2.1 Dimensions	8
2.2 Tools and materials	8
2.3 Mounting	9
2.4 Terminals	10
3. Wiring	
3.1 Typical wiring	12
3.2 Wiring guidelines - best practice for grounding	13
3.3 AC connections	14
3.3.1 Current transformer (CT) ground	16
3.3.2 Voltage measurement fuses	16
3.3.3 Analogue inputs	17
3.4 DC connections	19
3.4.1 Digital inputs	19
3.4.2 Digital outputs	20
3.4.3 Power supply and start	20
3.5 Communications	21
3.5.1 CAN bus engine communication	21
3.5.2 Modbus RS-485	21
4. Smart Connect Mk II software	
4.1 Download the smart connect software	23
4.2 USB connection	23
4.3 Smart connect interface	23
4.3.1 Top toolbar	23
4.3.2 Left menu	26
5. Display and menus	
5.1 Display, buttons, and LEDs	27
5.2 Mode and menu selection	28
5.3 Display settings	28
5.3.1 Display	28
5.3.2 Power save function	28
5.3.3 Deep sleep	29
5.4 Monitoring menu	29
5.5 Configuration menu	30
5.5.1 Auto exit config mode	30
5.6 Parameter list	31
5.6.1 Module	31
5.6.2 Digital inputs	33

5.6.3 Digital outputs.....	33
5.6.4 Analogue inputs.....	33
5.6.5 Engine.....	34
5.6.6 Timers.....	38
5.6.7 Generator.....	40
5.6.8 Mains.....	45
5.6.9 ECU Configuration.....	46
5.6.10 Maintenance.....	48
5.6.11 Reset counters.....	48
5.6.12 Password ID.....	49

6. Modes and applications

6.1 Running mode.....	50
6.2 AUTO mode.....	50
6.2.1 Island.....	50
6.2.2 Engine drive.....	51
6.2.3 Automatic mains failure (AMF).....	51
6.2.4 Remote start/stop	53
6.2.5 Auto exercise.....	54
6.3 Manual mode.....	55
6.4 Deep sleep.....	56

7. General functions

7.1 Passwords.....	57
7.2 AC measurement systems.....	57
7.3 Nominal settings.....	58
7.3.1 Default nominal settings.....	58
7.3.2 Alternative nominal settings.....	58
7.4 Breakers.....	59
7.4.1 Breaker types.....	59
7.4.2 Breaker spring load timer.....	59
7.5 Load calculations.....	60
7.6 Alarms.....	60
7.7 M-Logic.....	64
7.7.1 Analogue comparator.....	64
7.8 Language.....	65
7.8.1 Language pack.....	65
7.8.2 Smart connect language.....	65

8. Engine functions

8.1 Engine sequences.....	67
8.2 Engine start functions.....	67
8.2.1 Start sequence.....	67
8.3 Engine stop functions.....	70
8.3.1 Stop sequence.....	70
8.3.2 Stop sequence flowchart.....	71
8.4 Idle mode.....	72
8.5 Coolant temperature control.....	73
8.6 Engine pre-heater.....	75
8.7 Other functions.....	76

8.7.1 Maintenance timer.....	76
8.7.2 Keyswitch.....	76
9. Modbus	
9.1 About.....	78
9.2 Connection details.....	78
9.3 RS-485 communication settings.....	78
10. CAN bus engine communication	
10.1 Overview.....	79
10.1.1 About.....	79
10.1.2 Supported engines.....	79
10.1.3 Show engine values in the display.....	80
10.2 Configuration of the engine communication settings.....	80
10.3 Generic J1939.....	82
11. Inputs and outputs	
11.1 Digital inputs.....	84
11.2 Digital outputs.....	85
12. Troubleshooting	

1. Introduction

1.1 About

The SGC 120 Mk II controller has all the functions needed to protect and control a genset, a genset breaker, and a mains breaker. The values and alarms are shown on the LCD display screen and operators can easily control the system from the display.

Use the SGC 120 Mk II to monitor engine safety parameters, for example, engine temperature and oil pressure. The controller can also measure voltage and frequency for mains and gensets.

The Smart Connect Mk II software allows you to configure parameters, log data, add custom sensor curves, and supervise live data. M-Logic is also available from the software, which you can use to create functions using predefined events and outputs. The analogue comparator can be used to create custom alarms and logic functions.

1.1.1 Function overview

This is an overview of the most important functions.

Monitoring

Use the SGC controller to monitor mains, engine and alternator parameters.

Inputs and outputs

- Configurable analogue inputs
- Digital switch inputs
- DG alternator input
- Mains voltage input (AMF)
- Input for fuel reference selection
- Digital outputs

Communication

- RS-485 for Modbus communication
- CAN bus engine communication
- USB interface to PC

Operation modes

The SGC controller can operate in AUTO mode and manual mode.

In AUTO mode, you can select these functions:

- Island
- Automatic mains failure (AMF)
- Remote start/stop
- Auto exercise
- Engine drive

Display and language functions

- Backlit display
- Supports many languages, including English, Spanish, and Chinese
- Configure and customise the controller display language, and the software language
- 2-level password protection

M-Logic

- Simple logic configuration tool
- Selectable input and output events

1.2 About the User manual

1.2.1 General purpose

This document includes important instructions that should be followed during installation and maintenance of the controller.

Only approved personnel can do the installation and maintenance work. The work must comply with all applicable state and local electrical codes. Efficient and safe operation of the controller is only possible if equipment operation and configuration is correct, and maintenance is completed.



1.2.2 Software version

The information in this document relates to software version:

Software	Version
Application software	12

1.3 Warnings and safety


Symbols for hazard statements

 WARNING
 This shows potentially dangerous situations. If the guidelines are not followed, these situations could result in death, serious personal injury, and equipment damage or destruction.

 CAUTION
 This shows low level risk situation. If the guidelines are not followed, these situations could result in minor or moderate injury.

Symbols for general notes

NOTE This shows general information.

 **More information**
This shows where you can find more information.

Safety during installation and operation

Installing and operating the equipment may require work with dangerous currents and voltages. The installation must only be carried out by authorised personnel who understand the risks involved in working with electrical equipment.



DANGER!



Hazardous live currents and voltages

Do not touch any terminals, especially the AC measurement inputs and the relay terminals. Touching the terminals could lead to injury or death.

Current transformer danger



DANGER!



Electrical shock and arc flash

Risk of burns and electrical shock from high voltage.

Short all current transformer secondaries before breaking any current transformer connections to the controller.

Factory settings

The controller is delivered pre-programmed from the factory with a set of default settings. These settings are based on typical values and may not be correct for your system. You must therefore check all parameters before using the controller.

Electrostatic discharge

Electrostatic discharge can damage the controller terminals. You must protect the terminals from electrostatic discharge during the installation. When the controller is installed and connected, these precautions are no longer necessary.

1.4 Legal information

Warranty

NOTICE



Warranty

The controller is not to be opened by unauthorised personnel. If opened anyway, the warranty will be lost.

Disclaimer

DEIF A/S reserves the right to change any of the contents of this document without prior notice.

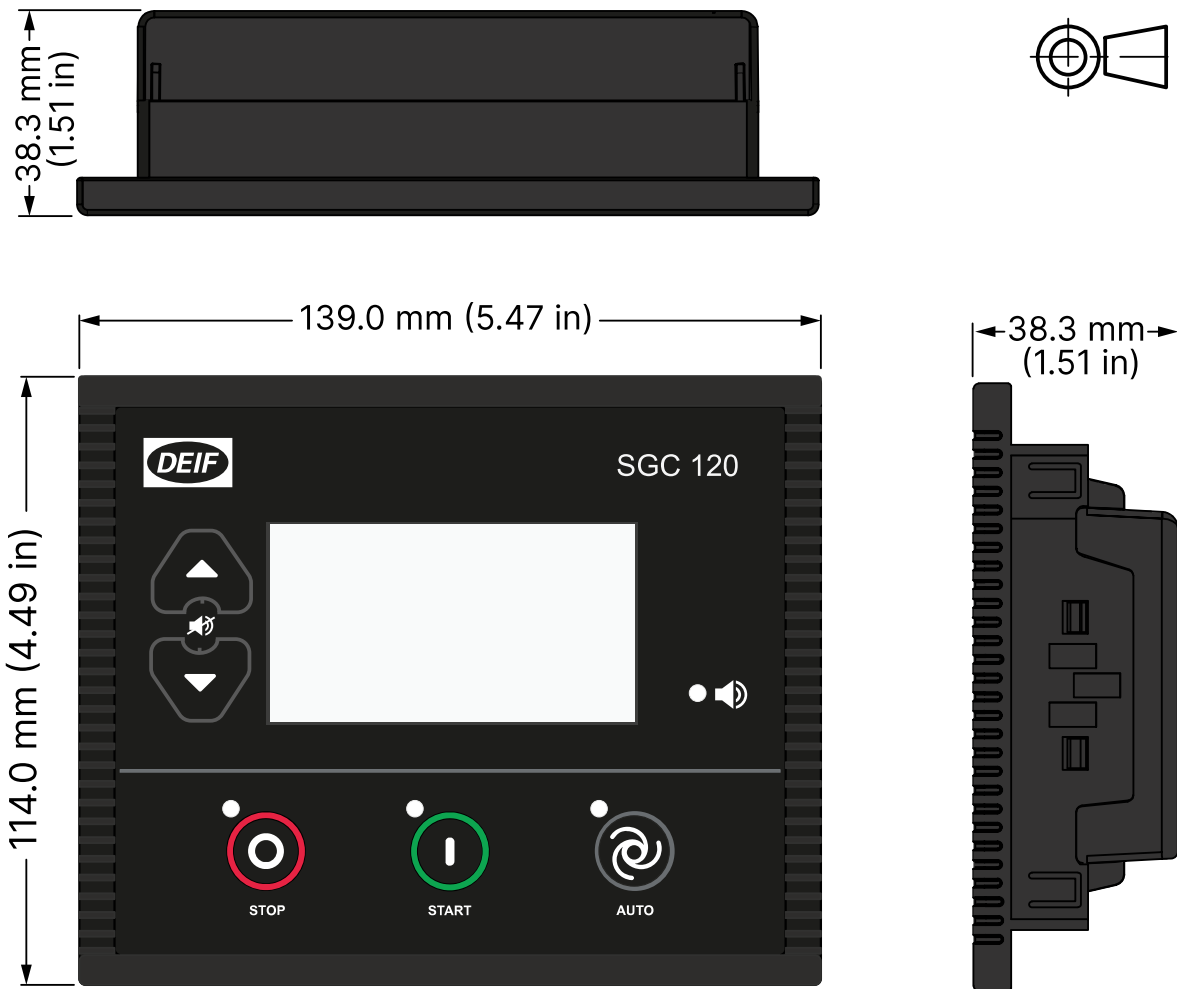
The English version of this document always contains the most recent and up-to-date information about the product. DEIF does not take responsibility for the accuracy of translations, and translations might not be updated at the same time as the English document. If there is a discrepancy, the English version prevails.

Copyright

© Copyright DEIF A/S. All rights reserved.

2. Installation

2.1 Dimensions



Dimensions

Dimensions	Length: 139.0 mm (5.47 in) Height: 114.0 mm (4.49 in) Depth: 38.3 mm (1.51 in)
Panel cut-out	Length: 118.0 mm (4.65 in) Height: 93.0 mm (3.66 in) Tolerance: ± 0.3 mm (0.01 in)

2.2 Tools and materials

Tools required for mounting

Tool	Used for
Safety equipment	Personal protection, according to local standards and requirements
Screwdriver, PH2 or 5 mm flat	Tighten the fixing screw clamps, torque 0.15 N·m (1.3 lb-in)
Wire stripper, pliers and cutters	Prepare wiring and trim cable ties

NOTICE



Too much torque damages the screw clamps and/or controller housing

Do not use power tools during the installation.

Materials required for mounting and wiring

Materials	Used for
Four screw clamps	Mounting the controller in the front panel
Wires and connectors	Wiring third party equipment to the controller terminals
Cable ties	Securing wiring

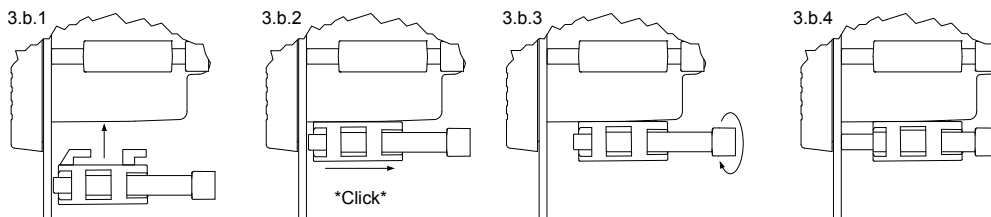
2.3 Mounting

The controller is designed for mounting in the front panel.

Panel cutout:

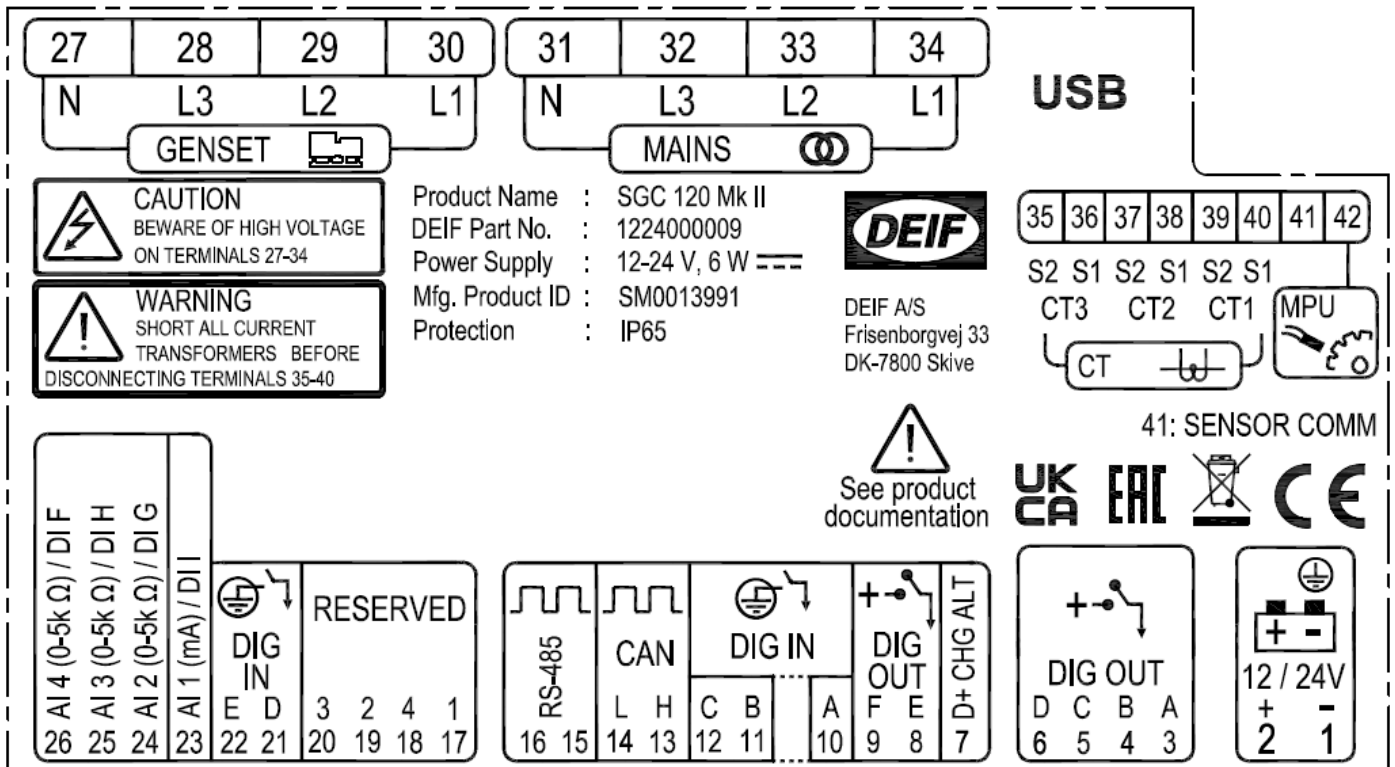
- Length: 118 mm (4.65 in)
- Height: 93 mm (3.66 in)
- Tolerance: ± 0.3 mm (0.01 in)

1. Insert the controller in the panel.
2. Insert the screw clamps:



3. Tighten the screw clamps to 0.19 Nm. Do not tighten the clamps to more than 0.19 Nm.

2.4 Terminals

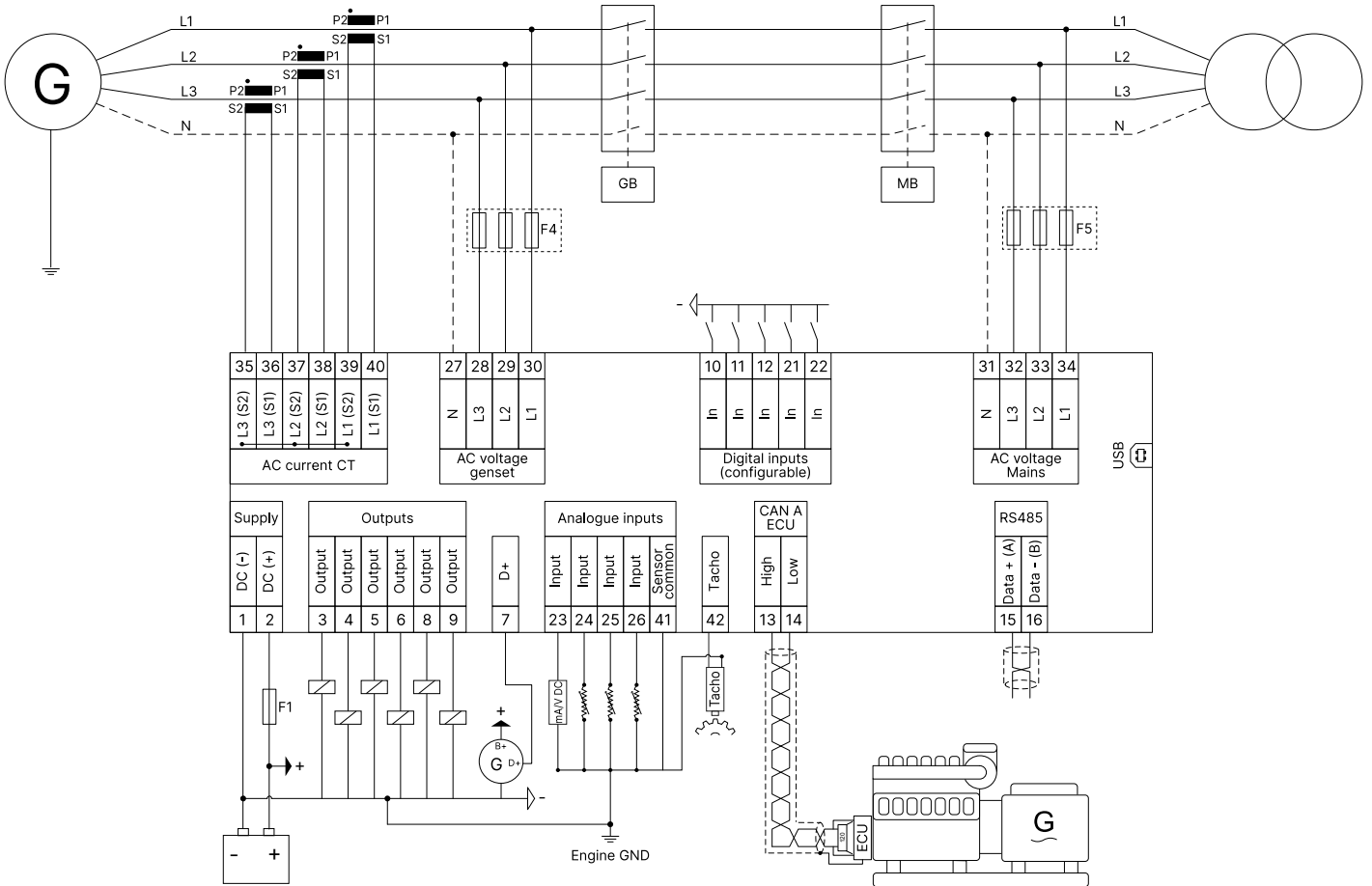


Terminal	Text	Description
1	GND	Power ground
2	BATT +	Power supply positive
3	DIG OUT A	DC output - A
4	DIG OUT B	DC output - B
5	DIG OUT C	DC output - C
6	DIG OUT D	DC output - D
7	D+ CHG ALT	Input for charging alternator control
8	DIG OUT E	DC output - E
9	DIG OUT F	DC output - F
10	DIG IN A	Input from switch A
11	DIG IN B	Input from switch B
12	DIG IN C	Input from switch C
13	CAN H	CAN high
14	CAN L	CAN low
15	RS-485 B	RS-485 B
16	RS-485 A	RS-485 A
17	Reserved	-
18	Reserved	-
19	Reserved	-
20	Reserved	-

Terminal	Text	Description
21	DIG IN D	Input from switch D
22	DIG IN E	Input from switch E
23	AI 1 (mA) / DI I	Analogue input from list of sensors/digital input I
24	AI 2 (0-5k Ω) / DI G	Analogue input from list of sensors/digital input G
25	AI 3 (0-5k Ω) / DI H	Analogue input from list of sensors/digital input H
26	AI 4 (0-5k Ω) / DI F	Analogue input from list of sensors/digital input F
27	GENSET N	Voltage input from generator neutral
28	GENSET L3	Voltage input from generator phase L3
29	GENSET L2	Voltage input from generator phase L2
30	GENSET L1	Voltage input from generator phase L1
31	MAINS N	Voltage input from mains neutral
32	MAINS L3	Voltage input from mains phase L3
33	MAINS L2	Voltage input from mains phase L2
34	MAINS L1	Voltage input from mains phase L1
35	CT3 S2	CT input 2 from generator phase L3
36	CT3 S1	CT input 1 from generator phase L3
37	CT2 S2	CT input 2 from generator phase L2
38	CT2 S1	CT input 1 from generator phase L2
39	CT1 S2	CT input 2 from generator phase L1
40	CT1 S1	CT input 1 from generator phase L1
41	SENSOR COMM	Sensor common point
42	MPU	MPU input

3. Wiring

3.1 Typical wiring



NOTE The S2 terminals are internally short.

NOTE The wiring diagram is only an example. Use the wiring diagram for the specific application during installation.

Fuses:

- F1: 2 A DC max. time-delay fuse/MCB, c-curve
- F4, F5: 2 A AC max. time-delay fuse/MCB, c-curve

Relays

- Protect the breaker relays against 4 kV surges as described in the IEC 61000-4-5 standard.
- Protect relay cards used with the controller against reverse battery voltages.

Digital outputs

If a digital output is connected to a relay, the relay must include freewheeling diodes.

Communication ports

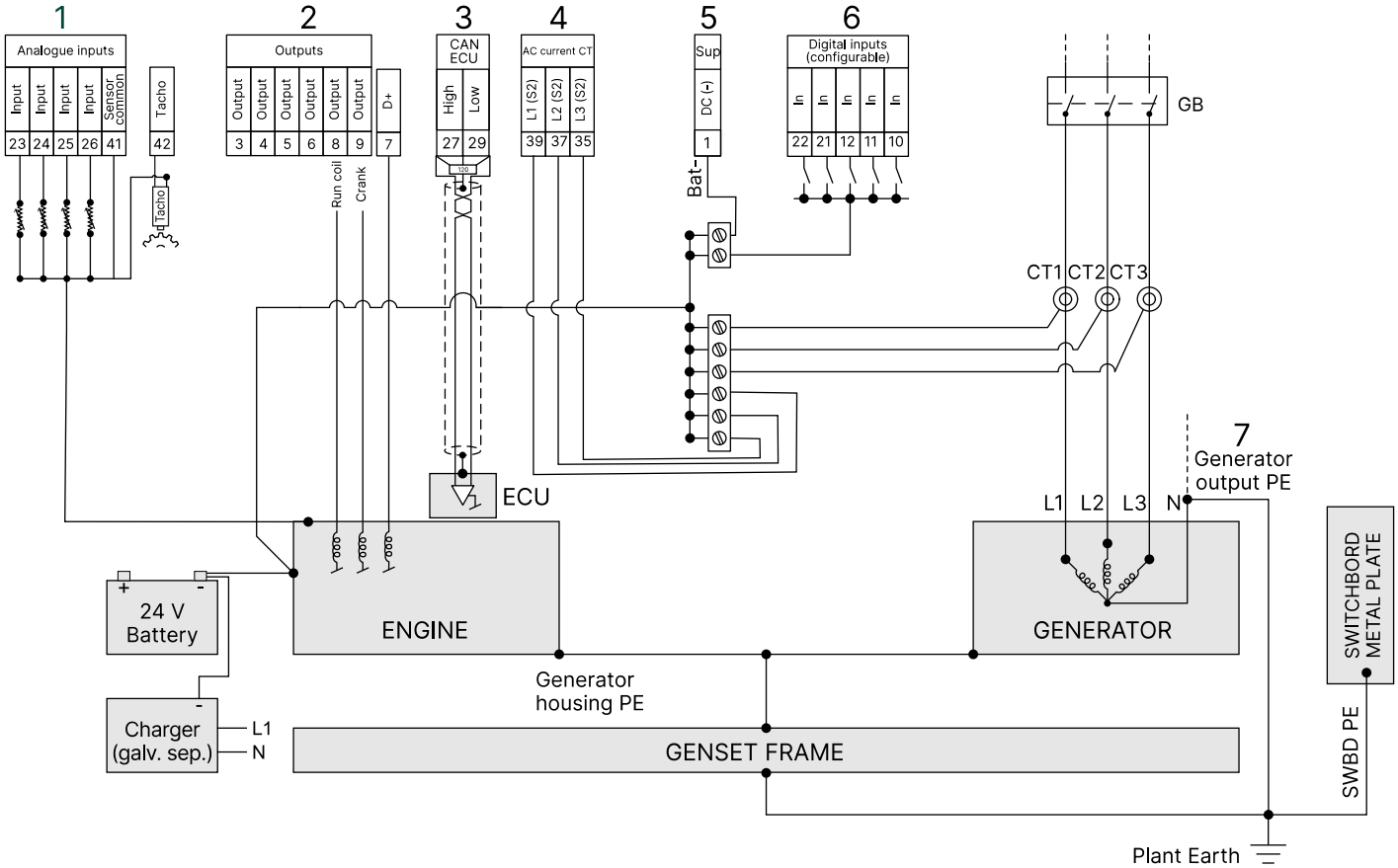
Communication ports for CAN (terminals 13 and 14) and RS-485 (terminals 15 and 16) have built-in 120 Ω resistors.

3.2 Wiring guidelines - best practice for grounding

It is important to follow these wiring guidelines to get:

- Reliable readings from the sensors.
- Precise measurement of AC voltage and current.
- Best protection from lightning and other earth faults.

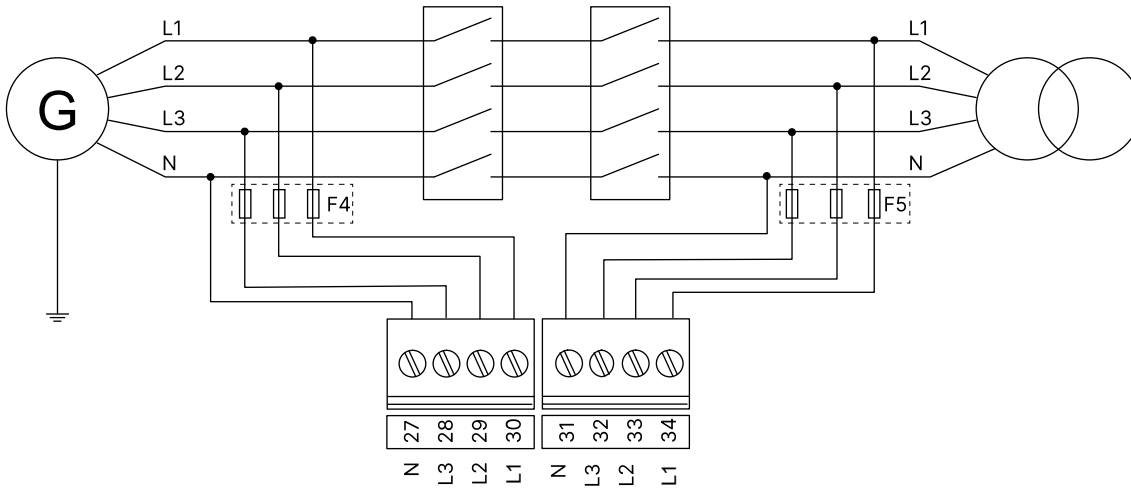
Example: Typical grounding setup



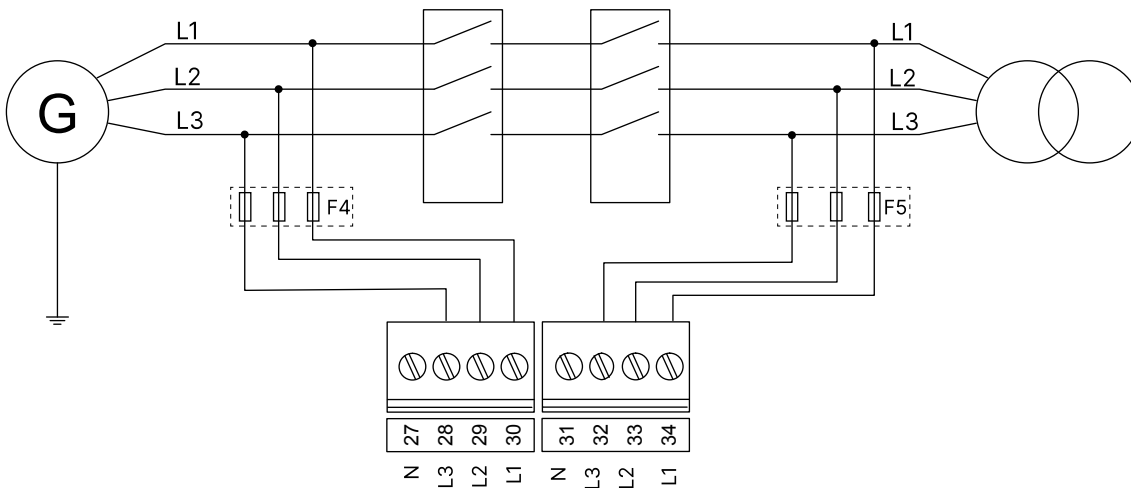
1. Terminal 41 (sensor common point) must be connected to a solidly grounded point on the engine, for example the engine frame. The potential difference to terminal 1 (BAT-) must be less than ± 0.5 V.
2. Do not connect the starter motor relay at the stop solenoid directly to the output terminals on the controller. You can configure any of the outputs as run coil and crank.
3. Connect the shield to the engine ECU as described by the engine manufacturer.
4. Current transformers.
5. Power supply DC- (terminal 1) must be connected to BAT- (in this example, the engine).
6. Connect the digital inputs to ground to activate the negative switching.
7. The protective earth for the generator output.

3.3 AC connections

Three-phase application (4 wires)

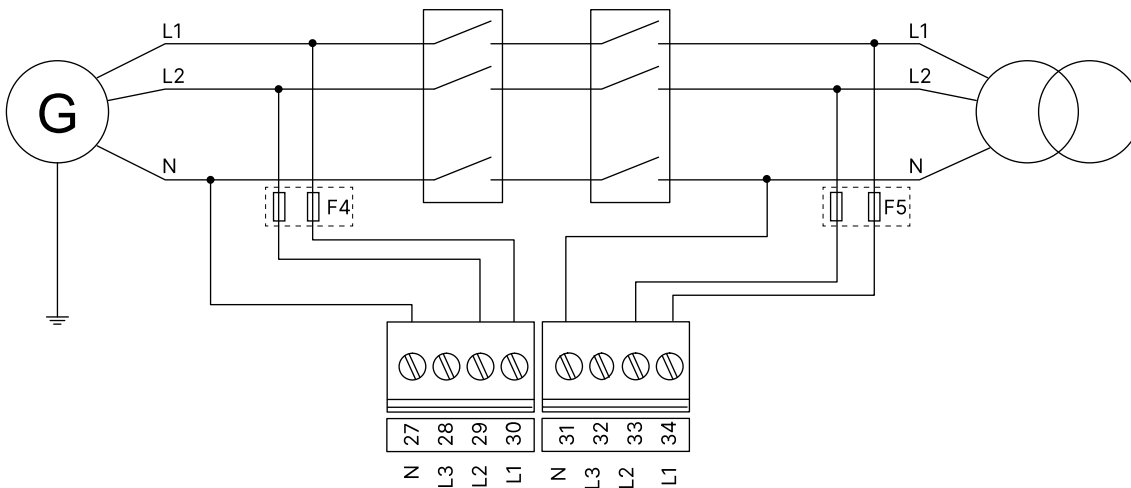


Three-phase application (3 wires)

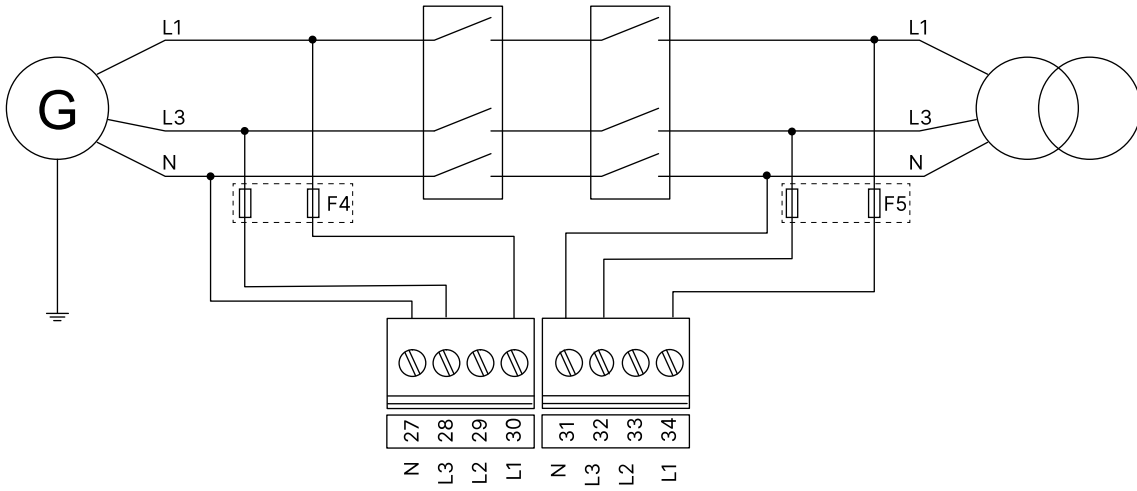


NOTE When three-phase distribution systems are used, the neutral line (N) is only necessary if it is a three-phase + neutral system. If the distribution system is a three-phase system without neutral, then do not connect the terminals 27 and 31.

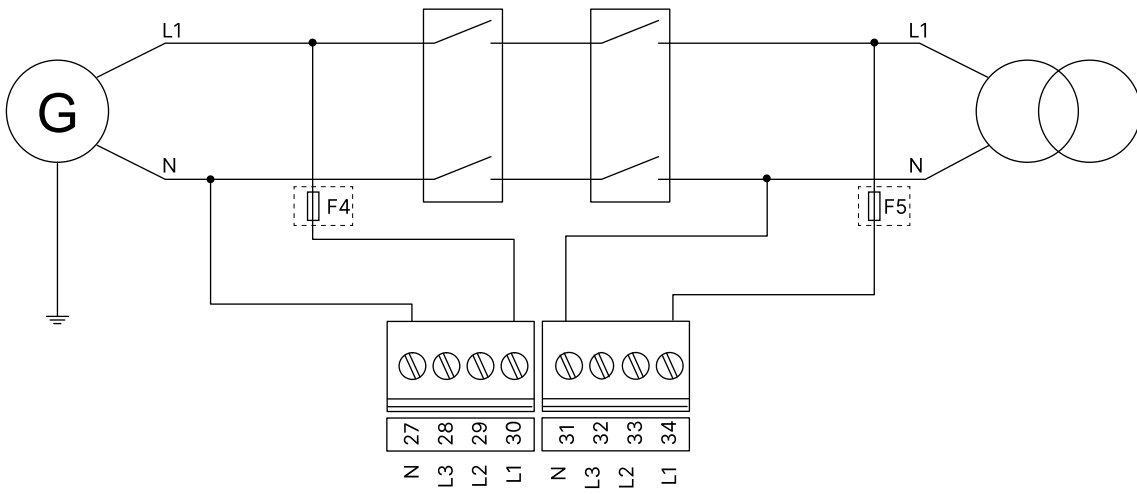
Two-phase application L1/L2 (3 wires)



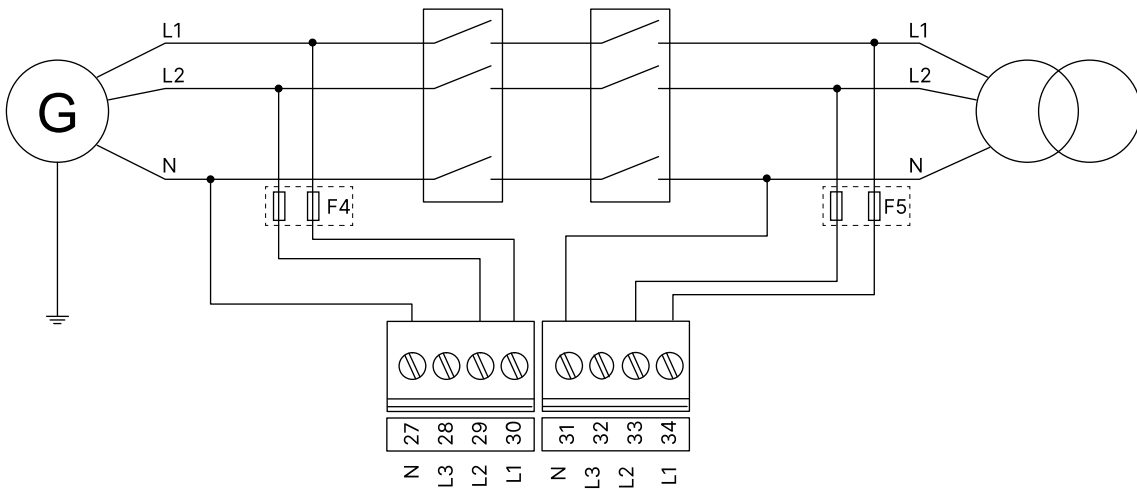
Two-phase application L1/L3 (3 wires)



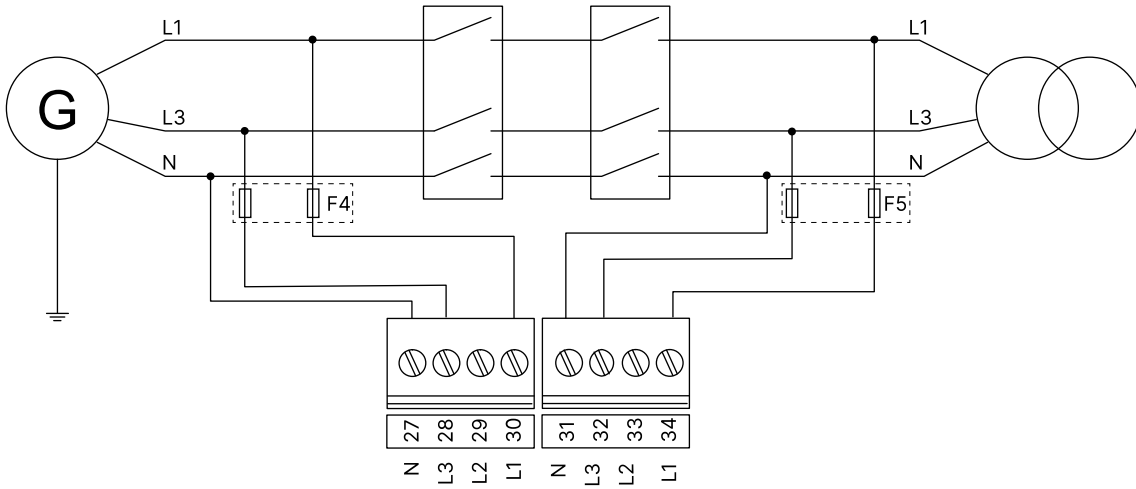
Single-phase application (2 wires)



Split phase application L1/L2 (3 wires)



Split phase application L1/L3 (3 wires)



NOTE F4, F5: 2 A AC max. fuse/MCB, c-curve

3.3.1 Current transformer (CT) ground

Use one of these methods for the CT ground (S2) connections:

1. The S2 terminals are not grounded. The controller detects the current accurately.
2. The S2 terminals are grounded at the GND terminal (terminal 1).
3. The S2 terminals are grounded but not at the GND terminal. This means that the battery ground (GND terminal) and the CT ground are not the same. The maximum allowable offset between the two ground connections is ± 0.5 V.

NOTE Use the recommended phase sequence when you connect the current transformer (CT).

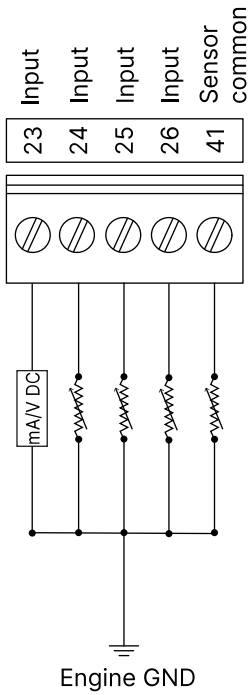
3.3.2 Voltage measurement fuses

If the wires/cables must be protected with fuses, use max. 2 A time-delay fuses, dependent on the wires/cables to be protected.

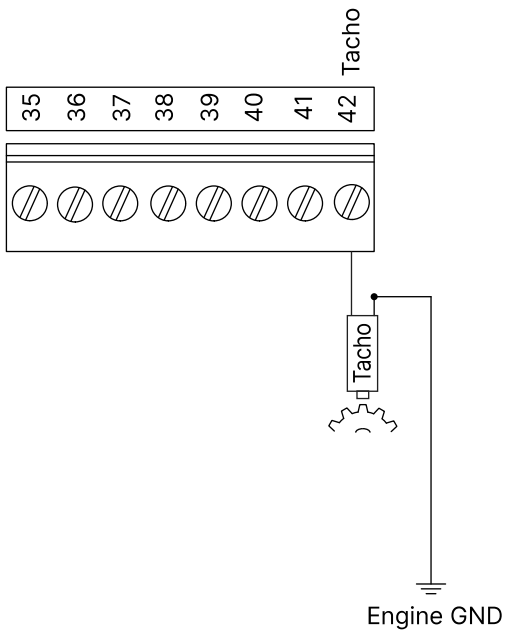
3.3.3 Analogue inputs

Analogue input

All sensors must be connected to the Engine GND.



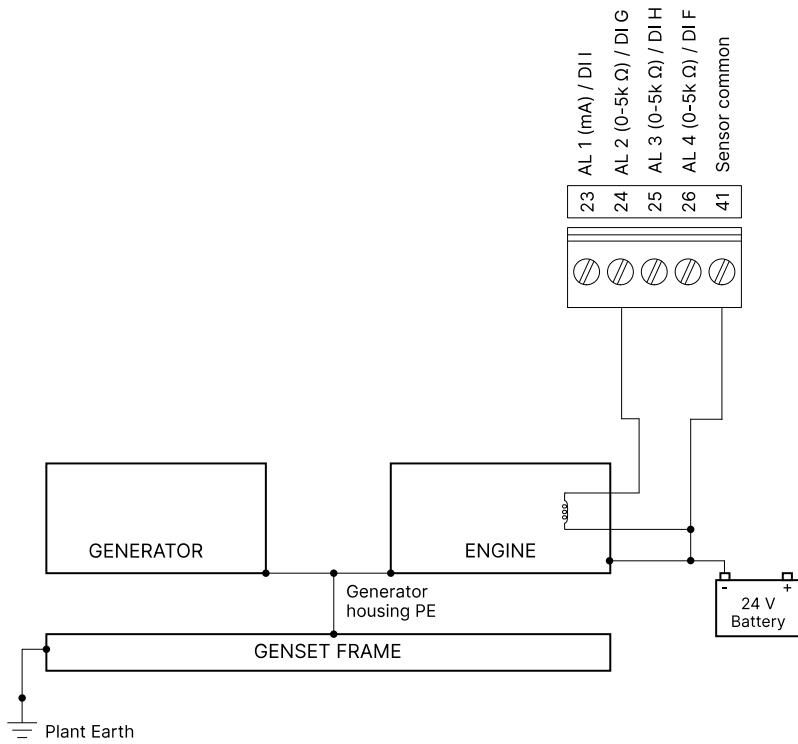
Analogue tacho input (MPU)



The magnetic pickup (MPU) is an inductive sensor installed on the engine flywheel, and used to detect the engine speed. The output of the MPU is a sine-wave signal.

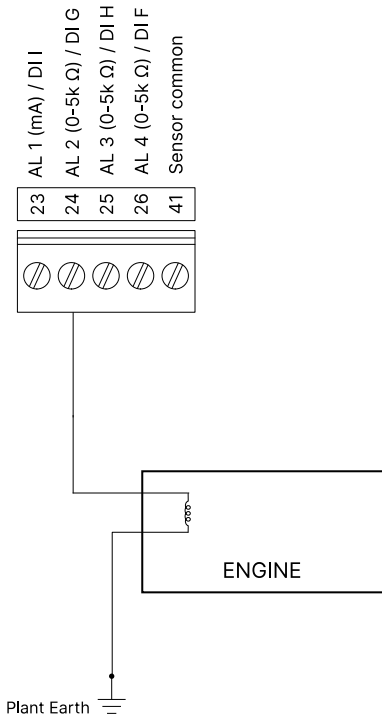
Resistive sensor inputs

Wiring for the sensor common point (SCP) for analogue inputs 1 to 4 (terminals 23 to 26).



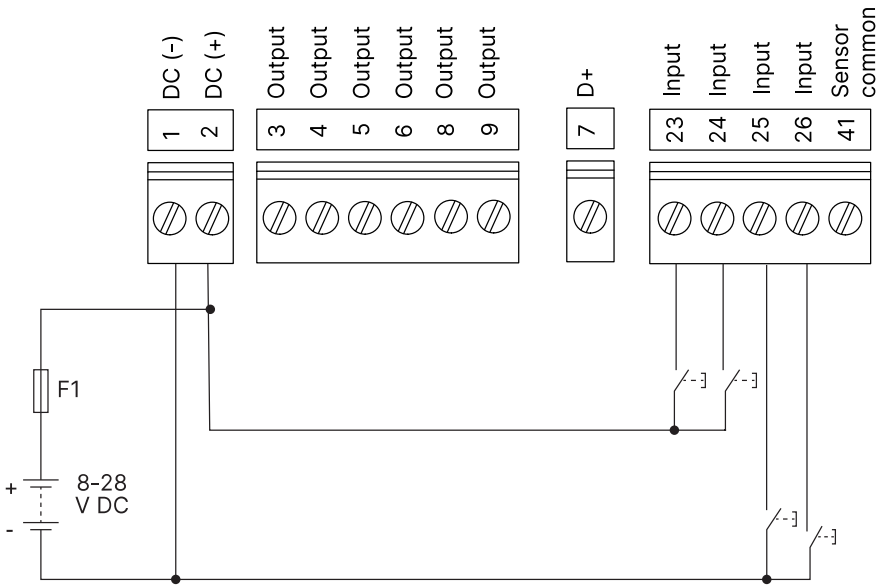
You must connect the terminal 41 (SCP) to a solidly sound point on the engine, for example the engine frame. This point on the engine block is the common reference point for all analogue sensors. Do not share the cable used for this connection with other electrical connections.

Wiring for analogue input 2 (terminal 24) when the input is used as a fuel level sensor.



Analogue inputs used as digital inputs

Analogue inputs can be used as digital inputs when wired as shown.

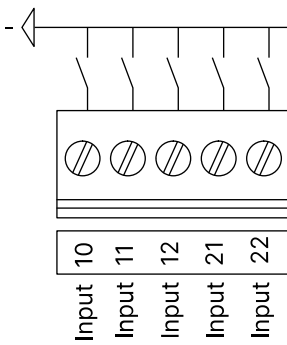


Settings:

- Polarity: Close to activate
- SW state: Not activated
- Logic status: Low

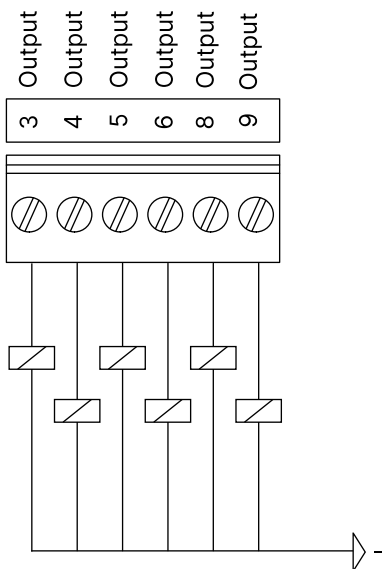
3.4 DC connections

3.4.1 Digital inputs



When wiring is more than 10 m, a 4007 diode must be connected on each input.

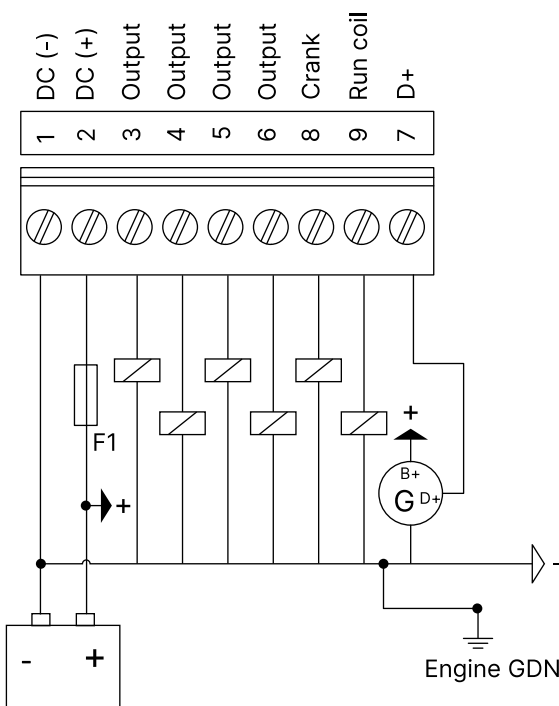
3.4.2 Digital outputs



Do not connect the starter motor relay and the stop solenoid directly to the output terminals on the controller.

NOTE Protect the genset and mains breaker relays against 4 kVA surges as described in IEC-61000-4-5.

3.4.3 Power supply and start



Do not connect the starter motor relay and the stop solenoid directly to the output terminals on the controller.

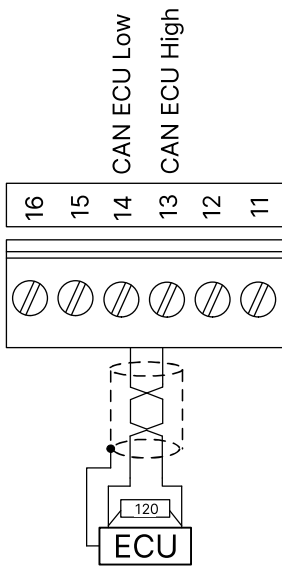
NOTE Remember to mount the freewheeling diodes.

D+ charger alternator

The charge fail is a combined input and output terminal. When the genset starts, the terminal provides controlled power to excite the charging alternator. The controller monitors the output voltage after excitation. It is possible to configure the action for charge fail.

3.5 Communications

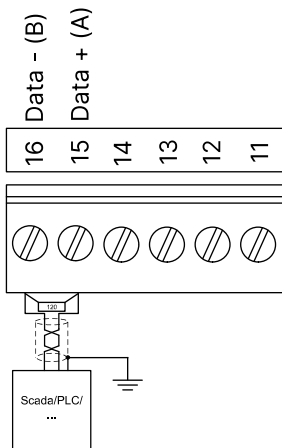
3.5.1 CAN bus engine communication



Recommended cable: Belden 3105A or equivalent, 24 AWG (0.5 mm²) twisted pair, shielded, impedance 120 Ω , <40 m Ω /m, min. 95 % shield coverage.

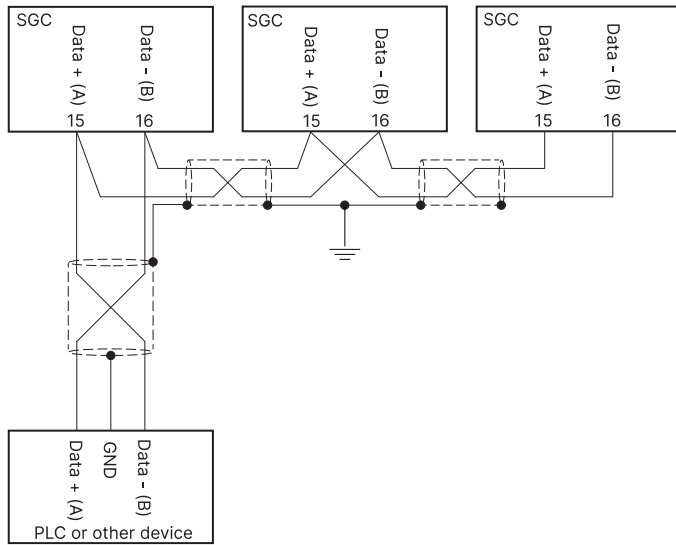
3.5.2 Modbus RS-485

RS-485



Recommended cable: Belden 3105A or equivalent, 24 AWG (0.5 mm²) twisted pair, shielded, impedance 120 Ω , <40 m Ω /m, min. 95 % shield coverage.

Example with three SGC controllers connected



NOTE If there are multiple RS-485 device in the network, then there must be one common ground.

4. Smart Connect Mk II software

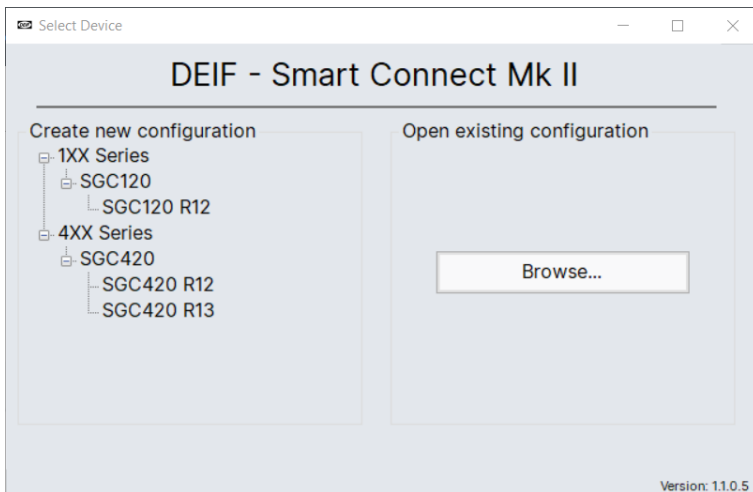
4.1 Download the smart connect software

The **SGC Smart Connect Mk II** is the software interface between a PC and the controller. The software is free to download. Download it from www.deif.com

4.2 USB connection

You need a USB cable (USB A to B) to connect the controller to a PC.

1. Install the smart connect software on a PC.
2. Use the USB cable to connect the controller service port to the PC.
3. Start the utility software.
4. Select the correct firmware version for your SGC Mk II controller.



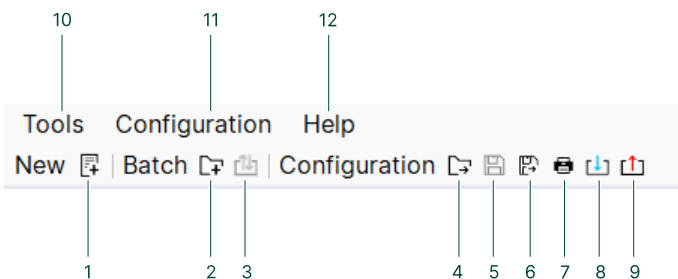
5. You can see the connected device in the bottom left corner of the smart connect screen.

4.3 Smart connect interface

4.3.1 Top toolbar

Configuration

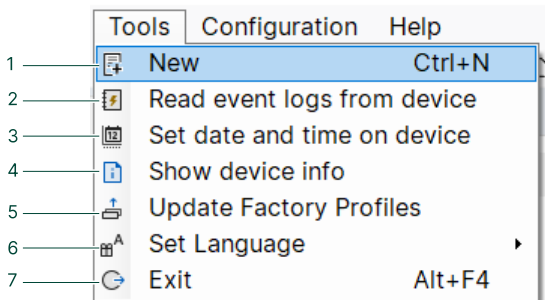
You see this top toolbar when you have selected one of the tabs from the **Select Module** menu.



1. New
 - This creates a new smart connect file. All settings and parameters are reset, and your data is not automatically saved.
2. Batch

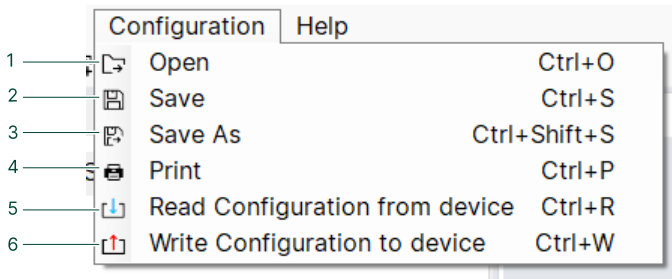
- This allows you to either open or save the configuration settings, language pack, and M-Logic settings. You can save or open the three setting packages separately or all together. Use to backup the configuration, and restore if necessary.
3. Batch: Read and Write
 - Read or write a batch of setting packages to and from the SGC controller.
 4. Configuration: Open
 - Open a configuration file.
 5. Configuration: Save
 - Save the configuration.
 6. Configuration: Save As
 - Save a copy of the configuration in a user-defined folder.
 7. Configuration: Print
 - Print a PDF version of the configuration.
 8. Read Configuration from device
 - Read the configuration from the SGC Mk II controller.
 9. Write Configuration to device
 - Write the configured configuration to the SGC Mk II controller.
 10. Tools
 - From the drop-down list, you can create a new smart connect file, read the event logs from the controller, set the time and date on the controller, see device information, update factory profiles, and change the software language.
 11. Configuration
 - From the drop-down list, you can open, save, save as, and print the configuration. You can also read and write the configuration to and from the SGC controller.
 12. Help
 - See an overview of the different modes available. You can also find information about the software in the About section.

Tools drop-down menu



1. New
 - Create a new configuration file.
2. Read event logs from the device
 - Select this to read the event logs that are on the controller.
3. Set the date and time on device
 - Configure the date and time on the SGC controller.
4. Show device info
 - See information about the device.
5. Update Factory Profiles
 - Update the configuration profiles. You can upload new configuration files to the profiles. You can also clear a profile.
6. Set Language
 - Configure the smart connect language.
7. Exit the smart connect software.

Configuration drop-down menu

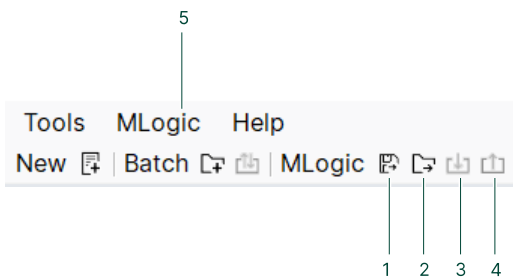


You can only see the configuration drop-down menu when you have selected one of the tabs from the **Select Module** menu.

1. Open
 - Open a new configuration file.
2. Save
 - Save the current configuration.
3. Save as
 - Save the configuration in a user-specific place.
4. Print
 - Print the configuration.
5. Read Configuration from device
 - Read the configuration from the SGC controller. This configuration is then shown in the smart connect software.
6. Write Configuration to device
 - Write the current configuration in the software to the SGC controller.

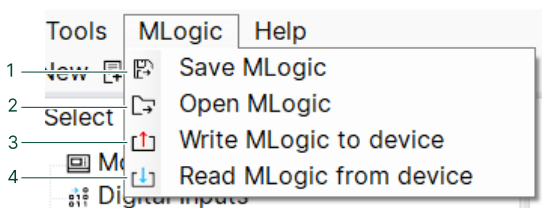
M-Logic

You see this top toolbar when you have selected **M-Logic** from the **Tools** menu.



1. Save M-Logic
 - Save the M-Logic configuration.
2. Open M-Logic
 - Open a saved M-Logic file.
3. Read M-Logic from device
 - Read the M-Logic configuration from the SGC controller.
4. Write M-Logic to device
 - Write the M-Logic configuration from the smart connect software to the SGC controller.
5. M-Logic
 - From the drop-down list, you can, for example, save and open an M-Logic file.

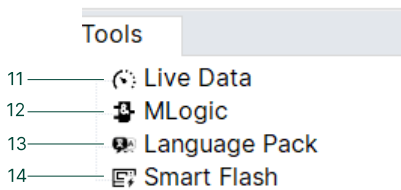
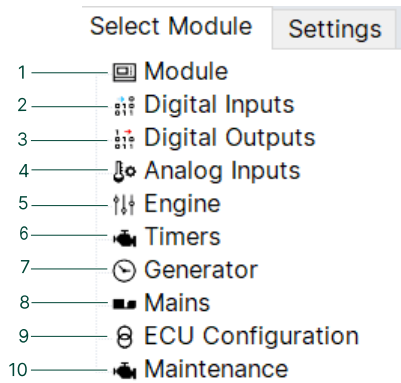
M-Logic drop-down menu



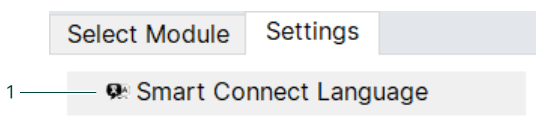
1. Save the current M-Logic configuration.
2. Open an M-Logic file.
3. Write the M-Logic configuration from the software to the controller.
4. Read the M-Logic configuration from the controller to the smart connect software.

4.3.2 Left menu

Select Module and Tools



Settings

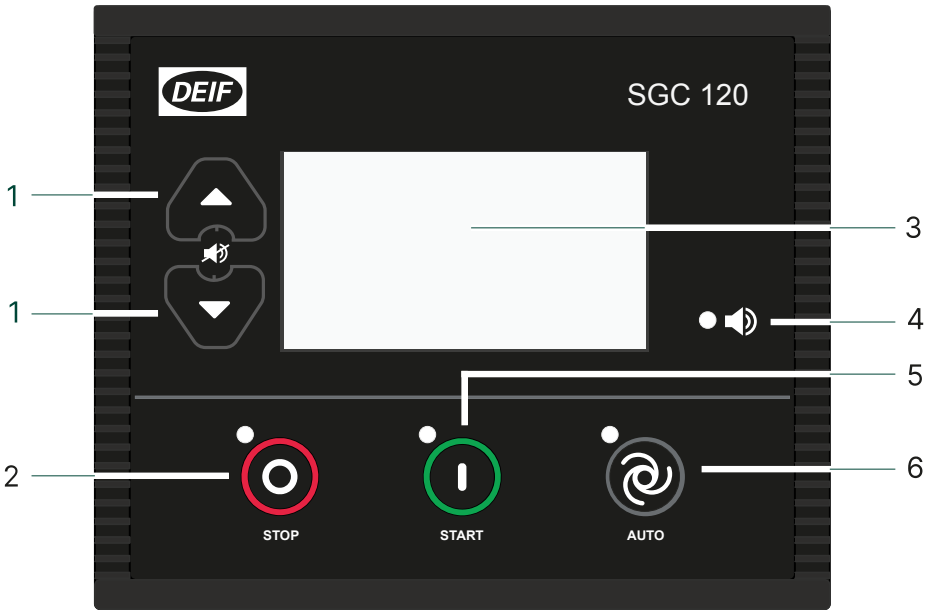


1. Module
 - Configure the settings for the module, for example, the display parameters, sleep mode, and communication.
2. Digital inputs
 - Configure the digital inputs.
3. Digital outputs
 - Configure the digital outputs.
4. Analogue inputs
 - Configure the analogue inputs. You can also add custom sensor curves to the calibration tables.
5. Engine
 - Configure the engine parameters, for example, lube oil pressure, fuel level monitoring, and speed monitoring. See the **Parameters list** for more information about the different parameters.
6. Timers
 - Configure the cranking timers, start/stop timers, and general timers.
7. Generator
 - Configure the generator parameters, for example, voltage, frequency, current, and load monitoring.
8. Mains
 - Configure the mains parameters, for example, voltage and frequency monitoring.
9. ECU Configuration
 - Configure the ECU parameters.
10. Maintenance
 - Configure the maintenance alarm, action, ash load, and due date.
11. Live Data
 - Select the data you want to view live. It is also possible to log and save the data.
12. M-Logic
 - Configure M-Logic. The analogue comparator tool is also available from the M-Logic tab.
13. Language Pack
 - Configure the language for the controller display.
14. Smart flash
 - Update the controller firmware with smart flash.

1. Smart Connect Language
 - Configure the language for the smart connect software.

5. Display and menus

5.1 Display, buttons, and LEDs

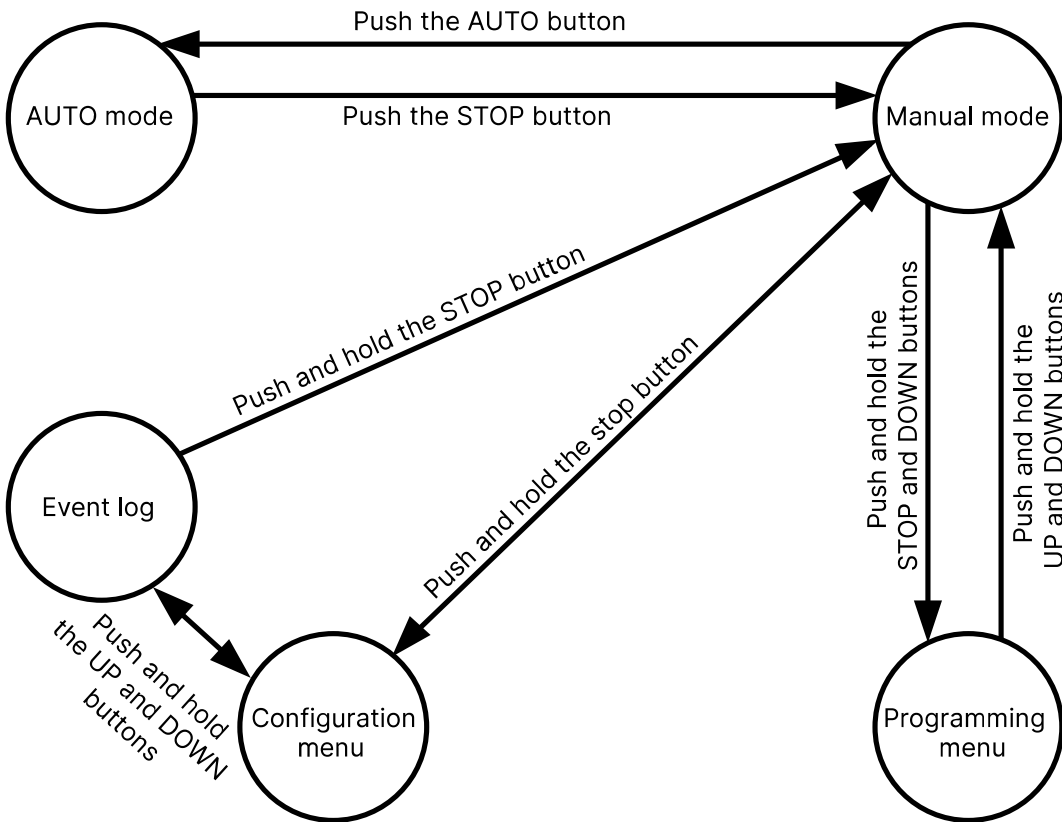


No.	Name	Function
1	Navigation	Move the selector up and down on the screen.
2	Stop	Stops the genset if MANUAL or AUTO mode is selected. When you push the button in AUTO, the running mode changes to MANUAL mode.
2	Configuration	To go to the <i>Configuration menu</i> , make sure the controller is in MANUAL mode, and then push and hold the Stop button until you see the configuration screen. Push the Start button to select a parameter and to save the changes you have made. To go back to MANUAL mode, push and hold the Stop button. To see the <i>Event log</i> , make sure the controller is in the <i>Configuration menu</i> . Then push the Up button and the Down button at the same time and hold until you see the event log. To go back to the <i>Configuration menu</i> , push the Down and Up buttons at the same time and hold.
2 and 1	Programming	To go to the <i>Programming menu</i> , make sure the controller is in MANUAL mode. Then push the Down button and the Stop button at the same time and hold until you see the programming screen. To go back to MANUAL mode, push the Down and Up buttons at the same time and hold.
3	Display	Graphical
4	Alarm LED	The LED is red when there is an active alarm.
5	Start	Starts the genset if MANUAL mode is selected.
6	Mode selection	Push to change the running mode.

5.2 Mode and menu selection

In the smart connect Mk II software, you can see an overview of how to change the running mode and access the different menus and logs.

Go to `Help > Mode selection` in smart connect Mk II to see the overview.



5.3 Display settings

5.3.1 Display

To adjust for ambient lighting, configure the display settings.

Use the smart connect software to configure the contrast in `Module > Display > Contrast`. You can also configure the time for when the page on the display changes in `Timers > General > Screen Changeover Time`.

Parameter	Range	Default
Contrast	0 to 100 %	80 %
Screen Changeover Time	0 to 1800 s	3 s

5.3.2 Power save function

If the power save function is enabled, the controller turns off the backlight after an adjustable timer expires. In the smart connect software, go to `Module > Display` to enable the function. To configure the adjustable delay timer, go to `Timers > General > Power Save Mode Delay`.

Text	Range	Default
Power save mode	Enable	Not enabled

Text	Range	Default
	Disable	
Power Save Mode Delay	5 to 1800 s	30 s

5.3.3 Deep sleep

You can use the deep sleep function to extend the battery life. This function allows you to stop all standard functions on the controller and decrease the power consumption. The controller keeps the same status and alarms as before it went into deep sleep mode. Standard functions are activated when the controller is no longer in deep sleep mode.

In the smart connect software or on the controller, go to `Module > General > Deep Sleep Mode` to enable the deep sleep function. The controller goes into deep sleep mode after an adjustable time of inactivity. You can configure this timer in `Timers > General > Deep Sleep Mode Delay`. Push a button to exit deep sleep mode.



Parameter	Range	Default
Deep Sleep Mode	Enable Disable	Not enabled
Deep Sleep Mode Delay	5 to 1800s	10 s

The controller does not go into deep sleep mode if:

- The controller is in AUTO mode.
- Mains monitoring is enabled and the mains breaker is configured as an output.
- Modbus communication is enabled.


5.4 Monitoring menu


The display views change automatically after an adjustable delay time. You can configure this delay time in the configuration menu.


You can also change the views manually on the controller with the *Up*  and *Down*  buttons.



Display view examples


Some of the display views are only shown if you have configured the functions.

	PRODUCT INFO
Prod ID: SGC120 - R.100	
Eng Sr: 000000000000	
Date: 10.July.2019 14:35	

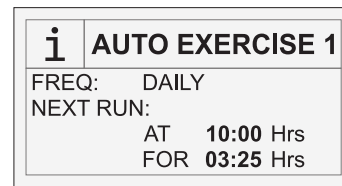
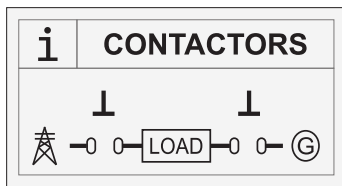
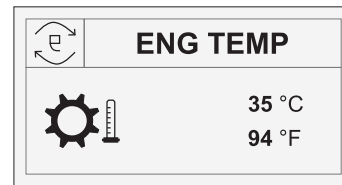
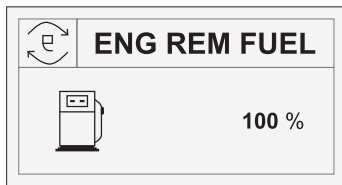
	STATUS
Engine off - ready	
Auto	

	GEN VOLTAGE
L1 245 V	L1-L2 424 V
L2 245 V 50.0 Hz	L2-L3 427 V
L3 247 V	L1-L3 427 V

	GEN ENERGY
	1.9 kWh
	2.0 kVAh
	0.1 kVArh



	MAINS HEALTHY
L1 244 V	L1-L2 421 V
L2 243 V 49.9 Hz	L2-L3 425 V
L3 248 V	L1-L3 429 V

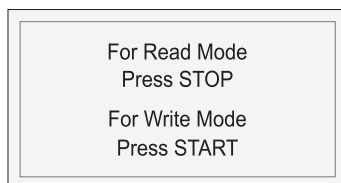
	ALARMS	1/1
Fail To Start		






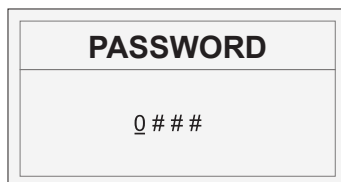
5.5 Configuration menu


Configure the parameter settings on the display

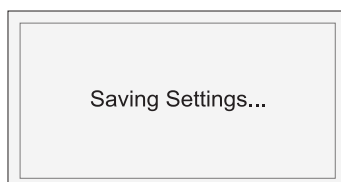
1. Push and hold the *Stop/Config*  button for a minimum of three seconds.
2. Push the *Start*  button to continue to the configuration menu.



3. Enter the password. The default password is 0123.
 - Use the *Up*  and *Down*  buttons to change the number.
 - Select a number with the *Start*  button.



4. You can now configure the parameters.
5. To leave the configuration menu, push and hold the *Stop/Config*  button.
6. The controller exits the menu once your settings have been saved.



5.5.1 Auto exit config mode

The controller automatically exits the configuration menu when there is no user interaction after an adjustable time. Go to `Timers > General > Auto Exit Config Mode` to configure the timer.

The controller saves all the configuration parameter changes before leaving the menu.

5.6 Parameter list

You need to go to the configuration menu to configure the parameters in the parameter list. A password is needed to enter the menu, and the default is 0123.



More information

See **Configuration menu** for how to enter the menu and configure the parameters.

5.6.1 Module

General

Parameter	Range	Default	Description
Profile name	-	Profile 1	You can change the name of the profile.
Power On mode	Manual AUTO	-	The controller operates in this running mode when you power on the controller.
Power On lamp test	Enable Not enabled	Not enabled	If this parameter is enabled, the LEDs glow red for 2 seconds after a power reset.
Deep Sleep Mode	Enable Disable	Not enabled	If this parameter is enabled, the controller goes into deep sleep mode when the controller is not in use for an adjustable time.
Load Histogram	Enable Disable	Not enabled	The load histogram shows the engine running hours. The running hours are put into load groups.
Auto-Clear Warning Alarm	Enable Disable	Not enabled	If this parameter is enabled, the controller automatically clears an active alarm, when you have resolved the condition that activated the alarm.

Display

Parameter	Range	Default	Description
Contrast	0 to 100 %	80 %	Configure the display contrast with this parameter.
Power Save Mode	Enable Disable	Not enabled	If this parameter is enabled, the controller turns off the LCD backlight after an adjustable time. This is only when the engine is not operating. You can configure the adjustable timer on the controller or with the smart connect software here : Timers > General > Power Save Mode Delay.
Filter Enable	Disable Enable	Not enabled	Enable this parameter to configure the display voltage filter.
Filter Constant	0 to 99	60	Configure the filter constant for the display voltage filter.

Communication

Parameter	Range	Default	Description
Communication Mode	None Modbus	None	Select the communication mode.
Server ID	1 to 247	2	Select the server ID for Modbus.

Parameter	Range	Default	Description
Baud rate	1200 bps 2400 bps 4800 bps 9600 bps 19200 bps 38400 bps 57600 bps 115200 bps	9600 bps	Select the baud rate for the serial communication.
Parity Bit	None Even Odd	None	Select the parity bit for the serial communication.

Auto Exercise – Event 1

Parameter	Range	Default	Description
Auto Exercise	Enable Disable	Not enabled	If you enable this parameter, the controller operates in exercise mode for the adjustable time duration.
Event Occurrence	Daily Weekly Monthly	Daily	Configure how often the sequences occur.
Event Day	Daily: Runs every day Weekly: Sunday to Saturday Monthly: 1 to 28	Runs every day	Configure the start date for the sequences.
Start Time	00:00 to 23:59 hour	10:00 hour	Configure the start time for the sequences.
Duration	00 hr 01 min. to 99 hr 59 min.	10 hours, 10 minutes	Configure for how long the genset operates during the scheduled sequences.
Load Transfer	Enable Disable	Not enabled	If this parameter is enabled, the load is on the genset. If this parameter is not enabled, the load is transferred from the genset to the mains. This is not possible during a mains failure.

Auto Exercise – Event 2

Parameter	Range	Default	Description
Auto Exercise	Enable Disable	Not enabled	If you enable this parameter, the controller operates in exercise mode for the adjustable time duration.
Event Occurrence	Daily Weekly Monthly	Daily	Configure how often the sequences occur.
Event Day	Daily: Runs every day Weekly: Sunday to Saturday Monthly: 1 to 28	Runs every day	Configure the start date for the sequences.
Start Time	00:00 to 23:59 hours	09:59 hours	Configure the start time for the sequences.
Duration	00 hr 01 min. to 99 hr 59 min.	10 hours, 10 minutes	Configure for how long the genset operates during the scheduled sequences.
Load Transfer	Enable Disable	Not enabled	If this parameter is enabled, the load is on the genset. If this parameter is not enabled, the load is transferred from the genset to the

Parameter	Range	Default	Description
			mains. This is not possible during a mains failure.

5.6.2 Digital inputs

Digital Input

Parameter	Range	Default	Description
Source	See Digital input source selection in this document	-	Select an input source from the list.
Name	Auxiliary Input #	-	You can configure the name of the input.
Polarity	Close to Activate Open to Activate	Close to Activate	You can select how to activate the input. It can be open or close with reference to ground.
Action	None Notification Warning Electrical Trip Shutdown	None	You can configure what action occurs when the digital input is activated.
Activation	Never From Engine Start From Monitoring On Always	From Monitoring On	You can configure when the controller starts to monitor the digital input.
Activation Delay	0 to 60 s	1 s	When the timer expires, the configured action occurs.

5.6.3 Digital outputs

Digital outputs

Parameter	Range	Default	Description
Source	See Digital output source selection in this document	-	Select an output source from the list.
Polarity	Energise De-energise	De-energise	Select what the status of the output source is when it is active. You can select if it is energised or de-energised.

5.6.4 Analogue inputs

Analogue Input

Parameter	Range	Default	Description
Use Input As	Digital input # Lube oil pressure Fuel level sensor Engine coolant temperature Shelter temperature sensor Custom sensor	Not used	Select the input.
Calibration Table	Resistance: 0 to 1000 Ω	-	Configure the x and y values for the 10 measurement points in the calibration table.

Parameter	Range	Default	Description
	Pressure: 0.0 to 10.0 Bar Temperature: -25 to 300 °C Fuel level: 0 to 100 %		Analogue input 1: 4-20 mA and 5 V DC Analogue inputs 2, 3, and 4: resistance

5.6.5 Engine

Lube Oil Pressure (LOP)

Parameter	Range	Default	Description
Shutdown	Enable Disable	Not enabled	If this parameter is enabled, the controller shuts down the engine when the lube oil pressure is less than the shutdown set point (Shutdown Threshold).
Shutdown Threshold	0.0 to 9.8 Bar	2 Bar	If the lube oil pressure is less than this set point, the controller shuts down the engine.
Warning	Enable Disable	Not enabled	If this parameter is enabled, the controller activates a warning alarm when the lube oil pressure is less than the warning set point (Warning Threshold).
Threshold	0.2 to 10.0 Bar	3 Bar	If the lube oil pressure is more than this set point, the controller activates a warning alarm.
LOP Sensor Reference	Engine Body Battery Negative	Engine Body	Configure the reference point for the sensor.
Circuit Fault Action	None Warning Notification Electric Trip Shutdown	None	Configure the action for a circuit failure.

Fuel Level Monitoring

Parameter	Range	Default	Description
Low Fuel Level Shutdown	Enable Disable	Enabled	If this parameter is enabled, the controller shuts down the engine when the fuel level is less than the shutdown set point.
Shutdown Threshold	0 to 78 %	10 %	If the oil level is less than this set point, the controller shuts down the engine.
Low Fuel Level Warning	Enable Disable	Not enabled	If this parameter is enabled, the controller activates a warning alarm when the oil level is less than the warning set point.
Warning Threshold	2 to 80 %	12 %	If the oil level is less than this set point, the controller activates a warning alarm.
Fuel Tank Capacity	2 to 6000 l	100 l	Configure the capacity of the fuel tank.
Fuel Theft Warning	Enable Disable	Enabled	If the rate of fuel removal is more than the set point for the fuel theft alarm, the controller activates a warning alarm.
Fuel Theft Alarm Threshold	1 to 100 %/hour	50 %/hour	The set point for the rate of fuel removal. If the rate is more than this set point, the controller activates the warning alarm.
Circuit Fault Action	None	None	The action for a circuit failure.

Parameter	Range	Default	Description
	Notification Warning Electric trip Shutdown		
Fuel Sensor Reference	Engine Body Battery Negative	Engine Body	The reference point for the fuel sensor.

Engine Coolant Temperature

Parameter	Range	Default	Description
Shutdown	Enable Disable	Not enabled	If this parameter is enabled, the controller shuts down the engine when the engine coolant temperature is more than/less than the shutdown set point.
Shutdown Threshold	27 to 300 °C	27 °C	If the coolant temperature is more than/less than this set point, the controller shuts down the engine.
Warning	Enable Disable	Not enabled	If this parameter is enabled, the controller activates a warning alarm when the coolant temperature is more than/less than the warning set point.
Warning Threshold	25 to 298 °C	25 °C	If the coolant temperature is more than/less than this set point, the controller activates a warning alarm.
Temp. Threshold Type	Greater Than Threshold Less Than Threshold	Greater Than Threshold	Configure if the controller activates a shutdown and/or a warning when the coolant temperature is less than or more than the set points.
Engine Coolant Temp. Sensor Reference	Engine Body Battery Negative	Engine Body	The reference point for the coolant temperature sensor.
Circuit Fault Action	None Notification Warning Electric trip Shutdown	None	The action for a circuit failure.

Crank Disconnect

Parameter	Range	Default	Description
Start Attempts	1 to 9	3	Number of attempts to crank the engine.
Disconnect on Oil Pressure Sensor	Enable Disable	Not enabled	If this parameter is enabled, the crank is disconnected when the oil pressure is more than the oil pressure set point (DISCONN LOP SENS).
Monitor Pressure Sensor Before Crank	Enable Disable	Not enabled	If this parameter is enabled, the oil pressure is monitored before the engine starts. If the oil pressure is more than the set point (MON LOP BEF CRANK), the engine cannot start.
Pressure Sensor Monitoring Threshold	0.5 to 10 bar	4 bar	Configure the set point for the oil pressure.
Monitor Pressure Switch Before Crank	Enable Disable	Not enabled	If this parameter is enabled, the oil pressure is monitored before the engine starts. If the pressure switch is open, the controller activates a high oil pressure alarm.

Parameter	Range	Default	Description
Disconnect on Oil Pressure Switch	Enable Disable	Not enabled	If this parameter is enabled, the crank disconnects if the oil pressure is high.
Pressure Switch Transient Time	0.0 to 3.0 s	1.5 s	If the oil pressure is high after this timer expires, the crank is disconnected.
Crank Disconnect At Alt Frequency	10 to 70 Hz	20 Hz	If the frequency is more than this set point during cranking, the controller disconnects the crank.
Crank Disconnect At Engine Speed	150 to 4000 RPM	600 RPM	If the engine speed is more than this set point during cranking, the controller disconnects the crank.
Disconnect On Charging Alt Voltage	Enable Disable	Not enabled	If this parameter is enabled, the crank is disconnected when the charging alternator voltage is more than the alternator set point (CHG ALT THRESHOLD) during a cranking attempt.
Charging Alt Disconnect Volt Threshold	5.0 to 30.0 V	5.0 V	If the charging alternator voltage is more than this set point during cranking, the crank is disconnected.

Speed Monitoring

Parameter	Range	Default	Description
Engine Speed Sense Source	Alternator frequency Magnetic Pickup W-Point Frequency	Alternator frequency	Configure how engine speed is monitored.
Flywheel Teeth (Magnetic Pickup)	1 to 300	110	The number of teeth on the flywheel.
W-Point Frequency@1500	0 to 500	274	The frequency at the w-point of the charging alternator.
Under-speed Shutdown	Enable Disable	Not enabled	If this parameter is enabled, the controller shuts down the engine when the speed is less than the configured set point for under-speed.
Under-speed Threshold	0 to 3600 RPM	1400 RPM	When the speed is less than this set point, the controller shuts down the engine.
Under-speed Delay	1 to 60 s	3 s	If the speed is still less than the under-speed set point when the timer expires, the engine shuts down.
Over-speed Threshold	700 to 4000 RPM	1600 RPM	The set point for over-speed.
Over-speed Delay	1 to 20 s	3 s	If the speed is still more than the over-speed set point when the timer expires, the controller activates an alarm.
Gross Over-speed Threshold	100 to 200 %	130 %	If the speed is more than this set point, the engine shuts down. The percentage is of the nominal speed.
Initial Low Speed	500 to 1800 RPM	1100 RPM	Use this parameter to reduce the amount of pollution when the engine starts. This is the initial speed of the engine, and is lower than the operating speed.
Idle to Rated Delay Time	0 to 1200 s	10 s	Time for the engine to go from idle speed to rated speed.

Parameter	Range	Default	Description
Start-up Idle Mode Time	0 to 1200 s	10 s	The engine operates at low speed for this time duration. You can configure the low speed with the <i>Initial Low Speed</i> parameter.
Stopping Idle Time	0 to 1200 s	10 s	In idle mode, the engine operates at low speed for this time duration before the engine shuts down.
Idle Mode Pulse Time	0 to 60 s	2 s	The pulse time for the idle mode output.

Battery Monitoring

Parameter	Range	Default	Description
Low Battery Voltage Action	None Notification Warning Electrical Trip Shutdown	None	Configure the action for when the battery voltage is low.
Low Battery Voltage Threshold	8.0 to 31.0 V	8.0 V	The action for low battery voltage is activated when the voltage load is less than this set point.
Low Battery Voltage Delay	5 to 1800 s	30 s	If the battery voltage is less than the low voltage set point (LOW VOLT THRESHOLD) when the timer expires, the controller activates the action for low battery voltage.
High Battery Voltage Action	None Notification Warning Electrical Trip Shutdown	None	Configure the action for when the battery voltage is high.
High Battery Voltage Threshold	9.0 to 32.0 V	15 V	The action for high battery voltage is activated when the voltage load is more than this set point.
High Battery Voltage Delay	5 to 1800 s	30 s	If the battery voltage is more than the set point for high voltage (HIGH VOLT THRESHOLD) when the timer expires, the controller activates the action for high battery voltage.

Charging Alternator

Parameter	Range	Default	Description
Charging Alternator Fail Action	None Notification Warning Electrical Trip Shutdown	None	Configure the action for charging alternator failure.
Charging Alternator Fail Threshold	0.0 to 35.0 V	10.0 V	The action for charging alternator failure is activated when the alternator voltage is more than this set point.
Charging Alternator Fail Delay	5 to 60 s	10 s	If the alternator voltage is more than the set point for high voltage (FAIL THRESHOLD) when the timer expires, the controller activates the action for charging alternator failure.

Preheat

Parameter	Range	Default	Description
Pre-heat Timer	1 to 900 s	10 s	When the pre-heat timer expires, the engine starts to crank.
Engine Coolant Temperature	Enable Disable	Not enabled	If this parameter is enabled, the pre-heat output is deactivated when the engine coolant temperature is more than the set point for the coolant temperature (ENG TEMP LIMIT).
Engine Coolant Temp Threshold	10 to 300 °C	25 °C	The set point for the engine coolant temperature.

Coolant Temperature Control

Parameter	Range	Default	Description
Enable	Enable Disable	Not enabled	Enable this parameter to configure coolant control.
Temperature Control	Heater Control Cooler Control	Heater Control	Select the type of coolant control.
ON Threshold	0 to 250 °C	50 °C	Cooler control: If the cooler temperature is more than the ON threshold, the output for <i>Coolant Temperature Control</i> is activated. Heater control: If the heater temperature is less than the ON threshold, the output for <i>Coolant Temperature Control</i> is activated.
OFF Threshold	0 to 250 °C	50 °C	Cooler control: If the cooler temperature is less than the OFF threshold, the output for <i>Coolant Temperature Control</i> is deactivated. Heater control: If the heater temperature is more than the OFF threshold, the output for <i>Coolant Temperature Control</i> is deactivated.

Automatic Fuel Transfer (AFT)

Parameter	Range	Default	Description
AFT Activation Threshold	0 to 99 %	40 %	If the fuel level is less than this threshold, the auto fuel transfer output is activated.
AFT deactivation threshold	1 to 100 %	80 %	If the fuel level is more than this threshold, the output for auto fuel transfer is deactivated.
Timeout After Activation	1 to 1200 s	600 s	If the fuel level is less than the deactivation threshold when this timer expires, the controller activates a timeout alarm and deactivates the fuel transfer output.
Monitor AFT From Engine On	Enable Disable	Not enabled	If this parameter is enabled, the controller monitors the fuel level when the engine is running.

5.6.6 Timers

Cranking

Parameter	Range	Default	Description
Crank Hold Time	1 to 255 s	5 s	Configure for how long the engine cranks.
Crank Rest Time	2 to 60 s	5 s	The time between each crank.

Parameter	Range	Default	Description
Manual Start Delay	0 to 300 s	3 s	When this timer expires in manual mode, the engine starts to crank.
Auto Start Delay	0 to 43200 s	3 s	When this timer expires in AUTO mode, the engine starts to crank.
Run coil time	0 to 9000 s	1 s	The run coil timer.

Start/Stop

Parameter	Range	Default	Description
Safety Monitoring Delay	10 to 60 s	10 s	The engine safety parameters are not monitored during the <i>Safety monitoring delay</i> . The timer starts after crank disconnect.
Warm-Up Delay	0 to 60 s	3 s	When the alternator voltage and frequency are OK, the load is transferred to the alternator. There's a <i>warm-up delay</i> before the load is transferred.
Return To Mains Delay	0 to 600 s	5 s	The controller closes the mains breaker when the <i>return to mains delay</i> timer expires.
Engine Cooling Time	0 to 300 s	5 s	When the <i>engine cooling</i> timer expires, the engine stops.
Stop Action Time	10 to 120 s	30 s	The time duration for the stop action sequence.
Additional Stopping Time	0 to 120 s	10 s	Additional time added to the engine stop sequence.
Load Transfer Delay	1 to 60 s	1 s	The time it takes to transfer the load to the mains or genset.

General

Parameter	Range	Default	Description
Power Save Mode Delay	5 to 1800 s	30 s	If the controller is not in use, the backlight turns off when the timer expires.
Screen Changeover Time	1 to 1800 s	3 s	The display page changes when the timer expires.
Deep Sleep Mode Delay	5 to 1800 s	10 s	If the controller is not in use, the controller goes into deep sleep mode when the timer expires.
Sounder Alarm Time	1 to 300 s	5 s	The alarm is activated when the alarm output is activated. The alarm stops when the timer expires.
Test Mode Timer	1 to 720 minutes	3 minutes	Engine run time during the test period.
Auto Exit Config Mode	10 to 1800 s	10 s	If the controller is not in use, the controller automatically exits the configuration mode when the timer expires.
Inlet shutoff Valve Pull Signal	0 to 2 s	0.1 s	The output for the pull signal for the inlet shutoff valve is active for this time duration.
Gen Breaker Pulse Timer	0 to 5 s	0.5 s	The time duration for the genset breaker pulse.
Mains Breaker Pulse Timer	0 to 5 s	0.5 s	The time duration for the mains breaker pulse.

Parameter	Range	Default	Description
Breaker Feedback Timer	1 to 10 s	2 s	The timer for breaker feedback.
Breaker Close Delay	1 to 10 s	2 s	Configure the time to charge the generator breaker spring before the breaker closes.

5.6.7 Generator

Alternator configuration

Parameter	Range	Default	Description
Alternator Present	Yes No	No	No: All generator parameters are not enabled. Yes: All generator parameters are enabled.
Number of Poles	2, 4, 6, or 8	4	The pole number in the alternator.
AC system	Single-phase (L1-N) 3-phase (L1-L2-L3-N) Split phase (L1-N-L2) Split phase (L1-N-L3) 2-phase (L1-L2-N) 2-phase (L1-L3-N) 3-phase (L1-L2-L3)	3-phase	Select the AC system for the generator.
Min Healthy Voltage	10 to 100 V phase-neutral	40 V	When the voltage has reached the set point, the genset starts to warm up.
Min Healthy Frequency	10 to 100 Hz	40 Hz	When the frequency has reached the set point, the genset starts to warm up.
Phase Reversal Detection	Enable Disable	Enabled	If this parameter is enabled, a phase reversal is detected if the phase sequence is not L1-L2-L3.
Phase Reversal Action	None Notification Warning Electrical Trip Shutdown	None	Configure the action for phase reversal detection.
Auto Load Transfer	Enable Disable	Enabled	If this parameter is enabled, the load is automatically transferred to the genset when the voltage and frequency are more than their minimum set points and the genset is running. This is only for manual mode.
Alternator Wave Detection	Enable Disable	Not enabled	Use this function to analyse and verify the genset voltage pattern. The running hours counter and energy meters counter start when the controller has analysed (and verified) the pattern.
Gen PT Enable	Enable Disable	Not enabled	If the application includes a genset power transformer (PT), enable this parameter.
Gen PT Primary	100 to 25000	100	Configure the PT primary value.
Gen PT Secondary	100 to 700	100	Configure the PT secondary value.

Nominal Values

Parameter	Range	Default	Description
Nominal Voltage	80 to 30000 V	400 V	Configure the nominal voltage value.
Nominal Frequency	5 to 75 Hz	50 Hz	Configure the nominal frequency value.
Nominal Load Current	0 to 8000 A	350 A	Configure the nominal value for the load current.
Nominal 4th Current	0 to 8000 A	800 A	Configure the nominal value for the 4th current.
Nominal Speed	100 to 4000 RPM	1500 RPM	Configure the nominal speed value.
Nominal Power	10 to 8000 kW	200 kW	Configure the nominal power value.
Alternator Nominal Voltage	80 to 30000 V	400 V	Configure the nominal value for the alternator voltage.
Alternator Nominal Frequency	5 to 75 Hz	60 Hz	Configure the nominal value for the alternator frequency.
Alternator Nominal Load Current	0 to 8000 A	350 A	Configure the nominal value for the alternator load current.
Alternator Nominal 4th Current	0 to 8000 A	800 A	Configure the nominal value for the alternator 4th current.
Alternator Nominal Speed	100 to 4000 RPM	1800 RPM	Configure the nominal value for the alternator speed.
Alternator Nominal Power	10 to 8000 kW	200 kW	Configure the nominal value for the alternator power.

Voltage Monitoring

Parameter	Range	Default	Description
Under-voltage Shutdown	Enable Disable	Not enabled	If this parameter is enabled, the controller shuts down the engine when the voltage is less than the configured set point for under-voltage.
Under-voltage Shutdown Threshold	10 to 195 V phase-neutral	80 V	When the voltage is less than this set point, the controller shuts down the engine.
Under-voltage Shutdown Delay	0 to 100 s	0.1 s	If the voltage is less than the set point for under-voltage shutdown (UV SHUTDOWN THRESH) when this timer expires, the controller shuts down the engine.
Under-voltage Warning	Enable Disable	Not enabled	If this parameter is enabled, the display shows a warning when the voltage is less than the set point for the under-voltage warning.
Under-voltage Warning Threshold	15 to 200 V phase-neutral	Not enabled	When the voltage is less than the set point, the controller shows a warning message.
Under-voltage Warning Delay	0 to 100 s	0.1 s	If the voltage is less than the set point for under-voltage warning (UV WARNING THRESH) when this timer expires, the controller activates a warning alarm.
Over-voltage Shutdown	Enable Disable	Not enabled	If this parameter is enabled, the controller shuts down the engine when the voltage is more than the configured set point for over-voltage.
Over-voltage Shutdown Threshold	15 to 200 V phase-neutral	120 V	When the voltage is more than the set point, the engine shuts down.

Parameter	Range	Default	Description
Over-voltage Shutdown Delay	0 to 100 s	0.1 s	If the voltage is more than the set point for over-voltage shutdown (OV SHUTDOWN THRESH) when this timer expires, the controller shuts down the engine.
Over-voltage Warning	Enable Disable	Not enabled	If this parameter is enabled, the controller shows a warning message when the voltage is more than the over-voltage set point (OV WARNING THRESHOLD).
Over-voltage Warning Threshold	10 to 195 V phase-neutral	110 V	When the voltage is more than this set point, the engine shows a warning message.
Over-voltage Warning Delay	0 to 100 s	0.1 s	If the voltage is more than the set point for over-voltage warning (OV WARNING THRESH) when this timer expires, the controller activates a warning alarm.

Frequency Monitoring

Parameter	Range	Default	Description
Under-frequency Shutdown	Enable Disable	Not enabled	If this parameter is enabled, the controller shuts down the engine when the frequency is less than the configured set point for under-frequency.
Under-frequency Shutdown Threshold	10 to 195 Hz	80 Hz	When the frequency is less than this set point, the controller shuts down the engine.
Under-frequency Shutdown Delay	0 to 100 s	0.1 s	If the frequency is less than the set point for under-frequency shutdown (UF SHUTDOWN THRESH) when this timer expires, the controller shuts down the engine.
Under-frequency Warning	Enable Disable	Not enabled	If this parameter is enabled, the display shows a warning when the voltage is less than the set point for the under-voltage warning.
Under-frequency Warning Threshold	15 to 200 Hz	90 Hz	When the frequency is less than this set point, the controller shows a warning message.
Under-frequency Warning Delay	0 to 100 s	0.1 s	If the frequency is less than the set point for under-frequency warning (UF WARNING THRESH) when this timer expires, the controller activates a warning alarm.
Over-frequency Shutdown	Enable Disable	Not enabled	If this parameter is enabled, the controller shuts down the engine when the frequency is more than the configured set point for over-frequency.
Over-frequency Shutdown Threshold	15 to 200 Hz	120 Hz	When the frequency is more than this set point, the engine shuts down.
Over-frequency Shutdown Delay	10 to 100	0.1 s	If the frequency is more than the set point for over-frequency shutdown (OF SHUTDOWN THRESH) when this timer expires, the controller shuts down the engine.
Over-frequency Warning	Enable Disable	Not enabled	If this parameter is enabled, the controller shows a warning message when the frequency is more than the set point for the over-frequency warning.

Parameter	Range	Default	Description
Over-frequency Warning Threshold	10 to 195 Hz	110 Hz	When the frequency is more than this set point, the controller activates a warning alarm.
Over-frequency Warning Delay	0 to 100 s	0.1 s	If the frequency is more than the set point for over-frequency warning (OF WARNING THRESH) when this timer expires, the controller shuts down the engine.

Current Monitoring

Parameter	Range	Default	Description
Primary CT Ratio	0 to 8000	150	Primary CT ratio value
Secondary CT Ratio	1 5	1	Secondary CT ratio value
Over-current Action	None Notification Warning Electrical Trip Shutdown	None	Configure the action for over-current.
Over-current Threshold	10 to 200 A	120	The action for over-current is activated when the current is more than this set point.
Over-current Delay	1 to 600 s	1 s	When the delay timer expires, the action for over-current is activated if the current is more than over-current set point.
CT Location	On Alt Output Cable On Load Cable	On Alt Output Cable	Configure the location of the CT. You can place the CT on the line from the genset or on the load cable.

Earth Leakage/Fan Current Monitoring

Parameter	Range	Default	Description
Current Monitoring	Earth Leakage Current Fan Current	Fan Current	Fan current: The current for the engine cooling fan is monitored. Earth leakage current: The earth leakage current is monitored.
CT Ratio	0 to 8000	0	The CT ratio when the fan current is monitored.
Fan Current Secondary Ratio	1 3	1	The ratio value for the secondary fan current.
High Current Action	None Notification Warning Electrical Trip Shutdown	None	The action that occurs when the current is more than the high current set point.
High Current Threshold	1 to 200 A	120 A	The action for high current is activated when the current is more than this set point.
Current Delay	0 to 180 s	0 s	When the delay timer expires, the action for high current is activated if the current is more than high current set point.
Low Current Action	None Notification Warning Electrical Trip	None	The action that occurs when the current is less than the low current set point.

Parameter	Range	Default	Description
	Shutdown		
Low Current Threshold	0 to 195 A	20 A	The action for low current is activated when the current is less than this set point.

Load Monitoring

Parameter	Range	Default	Description
Overload Action	None Notification Warning Electrical Trip Shutdown	None	The action that occurs when the load is more than the overload set point.
Overload Threshold	10 to 200 %	90 %	The action for overload is activated when the load is more than this set point.
Overload Delay	1 to 600 s	1 s	If the load is more than the set point for overload when the time expires, the action for overload is activated.
Unbalanced Load Action	None Warning Electrical Trip Shutdown Notification	None	The action that occurs when the load is more than the set point for unbalanced load.
Unbalanced Load Threshold	5 to 200 %	5 %	The action for unbalanced load is activated when the load is more than this set point.
Unbalanced Load Delay	1 to 600 s	1 s	If the load is more than the set point for unbalanced load when the time expires, the action for unbalanced load is activated.
Reverse Power Enable	Enable Disable	Not enabled	Enable this parameter to activate reverse power monitoring.
Reverse Power Action	None Warning Electrical Trip Shutdown Notification	None	The action that occurs when the reverse power is more than the set point for reverse power.
Reverse Power Activation	Never Always From Monitoring On	Always	Configure when the controller starts to monitor the reverse power.
Reverse Power Threshold	-200 to -5 %	-5 %	The action for reverse power is activated when the reverse power is more than this set point.
Reverse Power Delay	1 to 100 s	5 s	If the reverse power is more than the set point for reverse power when the time expires, the reverse power is activated.
Low Load Enable	Enable Disable	Not enabled	If this parameter is enabled, the configured action for low load is activated.
Low Load Action	None Warning Electrical Trip Shutdown Notification	None	The action that occurs when low load is detected. Low load is detected when the load is less than the set point for low load trip.
Low Load Trip	1 to 99 %	50 %	The set point for low load. When the load is less than this set point, the action for low load is activated.

Parameter	Range	Default	Description
Low Load Return	2 to 100 %	51 %	If the action for low load is a warning, the controller stops monitoring low load when the load is more than this set point.
Low Load Delay	1 to 3600 s	1 s	If the load is less than the set point for low load when the time expires, the low load action is activated.

5.6.8 Mains

Configuration

Parameter	Range	Default	Description
Mains Monitoring	Enable Disable	Enabled	If this parameter is enabled, the controller monitors the mains voltage and frequency.
Mains AC System	Single-phase (L1-N) 3-phase (L1-L2-L3-N) Split phase (L1-N-L2) Split phase (L1-N-L3) 2-phase (L1-L2-N) 2-phase (L1-L3-N) 3-phase (L1-L2-L3)	3-phase	Select the phase system for the mains.
Phase Reversal Detection	Enable Disable	Not enabled	If this parameter is enabled, a phase reversal is detected if the phase sequence is not L1-L2-L3.
Phase Reversal Action	None Notification	None	Configure the action for phase reversal detection.
Partial Healthy Detection	Enable Disable	Not enabled	If this parameter is enabled, a mains failure is not detected if one or two of the phases fail. This is only for a 3-phase system.
Mains PT Enable	Enable Disable	Not enabled	Enable this parameter, if the application includes a mains power transformer (PT).
Mains PT Primary Ratio	100 to 25000	100	Configure the PT primary value.
Mains PT Secondary Ratio	100 to 700	100	Configure the PT secondary value.
Nominal voltage	80 to 30000 V phase-phase	400 V phase-phase	Configure the nominal voltage value.
Nominal frequency	50 to 750 Hz	500 Hz	Configure the nominal frequency value.
Alternative nominal voltage	80 to 30000 V phase-phase	400 V phase-phase	Configure the alternative nominal voltage value.
Alternative nominal frequency	50 to 750 Hz	500 Hz	Configure the alternative nominal frequency value.

Voltage Monitoring

Parameter	Range	Default	Description
Under-voltage	Yes No	Yes	If this parameter is enabled, the controller detects a mains failure when the mains voltage

Parameter	Range	Default	Description
			is less than the under-voltage set point (UV trip).
Under-Voltage Trip	50 to 298 V phase-neutral	55 V	If the mains voltage is less than this set point, there is a mains failure.
Under-Voltage Return	52 to 300 V phase-neutral	57 V	The mains returns when the mains voltage is more than this set point.
Over-voltage	Yes No	Yes	If this parameter is enabled, the controller detects a mains failure when the mains voltage is more than the over-voltage set point (OV trip).
Over-Voltage Trip	102 to 350 V phase-neutral	280 V	If the mains voltage is more than this set point, there is a mains failure.
Over-Voltage Return	100 to 348 V phase-neutral	270 V	The mains returns when the mains voltage is less than this set point.
Voltage Monitoring Delay	0 to 100 s	10 s	If the voltage is more than the over-voltage set point when this timer expires, the action for over-voltage is activated.

Frequency Monitoring

Parameter	Range	Default	Description
Under-frequency	Yes No	Yes	If this parameter is enabled, the controller detects a mains failure when the mains frequency is less than the under-frequency set point (UF trip).
Under-frequency Trip	10.0 to 59.0 Hz	45 Hz	If the mains frequency is less than this set point, there is a mains failure.
Under-frequency Return	11.0 to 60.0 Hz	47 Hz	The mains returns when the mains frequency is more than this set point.
Over-frequency	Yes No	Yes	If this parameter is enabled, the controller detects a mains failure when the mains frequency is more than the over-frequency set point (OF trip).
Over-frequency Trip	26.0 to 75.0 Hz	55 Hz	If the mains frequency is more than this set point, there is a mains failure.
Over-frequency Return	25.0 to 74.0 Hz	52 Hz	The mains returns when the mains frequency is less than this set point.
Frequency Monitoring Delay	0 to 100 s	10 s	If the frequency is more than the over-frequency set point when this timer expires, the action for over-frequency is activated.

5.6.9 ECU Configuration

Engine Control Unit (ECU)

Parameter	Range	Default	Description
Engine Type	None Conventional Generic J1939 Scania Volvo 1500 Volvo 1800	Conventional	Select the engine type.

Parameter	Range	Default	Description
	Iveco Deutz - EMR MTU KUBOTA Weichai Hatz PERKINS ADEM4 Yuchai YCGCU ECU Cummins Yuchai Bosch Doosan D18		

Measurements From ECU

Lube Oil Pressure	Enable Disable	Not enabled	Read and monitor the lube oil pressure.
Coolant Temperature	Enable Disable	Not enabled	Read and monitor the coolant temperature.
Engine Speed	Enable Disable	Not enabled	Read and monitor the engine speed.
Running Hours	Enable Disable	Not enabled	Read and monitor the engine running hours.
Battery Voltage	Enable Disable	Not enabled	Read and monitor the battery voltage.

Controls From ECU

Speed	Enable Disable	Not enabled	If this is enabled, the controller sends the requested engine speed to the ECU.
Start/Stop	Enable Disable	Not enabled	If this parameter is enabled, the controller sends the start/stop commands to the ECU.
Preheat	Enable Disable	Not enabled	If this parameter is enabled, the controller preheats the engine even if you have not configured an output for preheat.
Engine Gain		50	This for Cummins engines.

ECU Communication

Parameter	Range	Default	Description
ECU Communication Failure			
Action	None Notification Warning Electrical Trip Shutdown	None	Configure the action for ECU communication failure.
Activation	Never From Engine Start From Monitoring On Always While Fuel Relay ON	Never	Configure when the controller monitors the ECU communication.
Activation Delay	1 to 60 s	1 s	If there is a communication failure when the delay timer expires, the action for ECU communication failure is activated.
Communication Setup			

Parameter	Range	Default	Description
SGC Source Address	0 to 253	3	Source address for the SGC.
ECU Source Address	0 to 253	0	Source address for the ECU.

ECU Diagnostic Lamps

Parameter	Range	Default	Description
Amber, Red, Malfunction, Protect			
Action	None Notification Warning Electrical Trip Shutdown	None	Configure the action for the ECU diagnostics lamps.
Activation	Never From Engine Start From Monitoring On Always	Never	Configure when the controller monitors the diagnostics lamps.
Activation Delay	0 to 60 s	0 s	If there is a failure when the delay timer expires, the action for the ECU diagnostics lamps is activated.

5.6.10 Maintenance

Maintenance

Parameter	Range	Default	Description
Alarm Action	Notification Warning	Notification	Configure the alarm action for maintenance.
Due At Engine Hours	10 to 65000 hours	250 hours	The maintenance timer is based on running hours.
Ash Load Enable	Enable Disable	Not enabled	Enable this parameter to monitor the ash load.
Alarm Due Date	dd/mm/yyyy	-	An alarm occurs when it is the due date.

5.6.11 Reset counters

Counters for various values are included for genset and mains. These values can be adjusted, for instance if the controller is installed on an existing genset or a new circuit breaker has been installed. You can only configure the reset counters from the display.

Genset

Parameter	Range	Default	Description
Run time	0 to 60000	0	Offset adjustment of the total running hours counter.
No. of starts	0 to 60000	0	Offset adjustment of the number of starts.
No. of trips	0 to 60000	0	Offset adjustment of the number of trips.
Engine kWh	0 to 60000 kWh	0 kWh	Offset adjustment of the number of engine kWh.

Parameter	Range	Default	Description
Engine kVAh	0 to 60000 kVAh	0 kVAh	Offset adjustment of the number of engine kVAh.
Engine kVArh	0 to 60000 kVArh	0 kVArh	Offset adjustment of the number of engine kVArh.

Mains

Parameter	Range	Default	Description
Run time	0 to 60000	0	Offset adjustment of the total running hours counter.
Mains kWh	0 to 60000 kWh	0 kWh	Offset adjustment of the number of mains kWh.
Mains kVAh	0 to 60000 kVAh	0 kVAh	Offset adjustment of the number of mains kVAh.
Mains kVArh	0 to 60000 kVArh	0 kVArh	Offset adjustment of the number of mains kVArh.

5.6.12 Password ID

You can only configure the password ID on the display.

ID

Parameter	Input	Range	Description
ENG SR NO	#####	Numbers: 0 to 9 Letters: A to Z	The engine serial number.
PASSWORD 1	####	Numbers: 0 to 9	The password for level 1 access. The default is 0123.
PASSWORD 2	####	Numbers: 0 to 9	The password for level 2 access. The default is 1111.

6. Modes and applications

6.1 Running mode

The controller has two running modes:

- **AUTO:** The controller operates automatically, and the operator cannot initiate sequences manually.
- **Manual:** The operator has to initiate all sequences. You can do this with the buttons, Modbus commands, or digital inputs.

6.2 AUTO mode

In AUTO mode, you can select these functions:

- Island
- Engine drive
- Automatic Mains Failure (AMF)
- Remote start/stop
- Auto exercise

If the controller is not in AUTO mode, push the mode selection button to change the running mode to AUTO.

6.2.1 Island

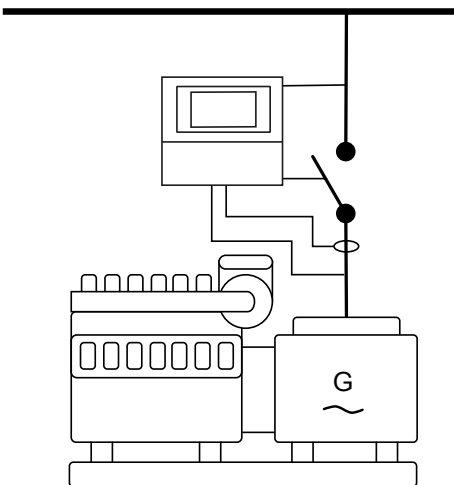
The controller operates in island when:

- Mains monitoring is not enabled.
- Auto exercise is not enabled.

In the smart connect software, go to `Mains > Configuration > Mains monitoring` and make sure that mains monitoring is not enabled. Go to `Module > Auto Exercise > Event 1/Event 2` and make sure that auto exercise is not enabled for events 1 and 2.

The controller automatically starts the genset and closes the generator breaker at a digital start command. When the stop command is given, the generator breaker opens, and the genset is stopped after a cooling down period.

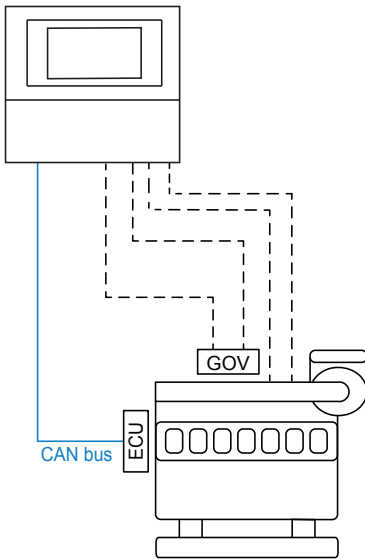
Use a digital input to activate and deactivate the start and stop commands. You cannot use the display buttons in AUTO mode.



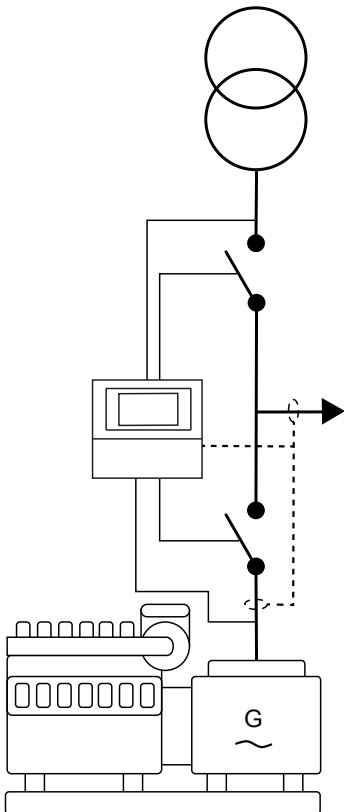
6.2.2 Engine drive

You can use the SGC to control one engine. The controller has all the necessary functions to control and protect an engine.

To use the controller to control an engine, go to *Generator > Alternator Configuration* in the smart connect software. Select *No* for the *Alternator Present* parameter.



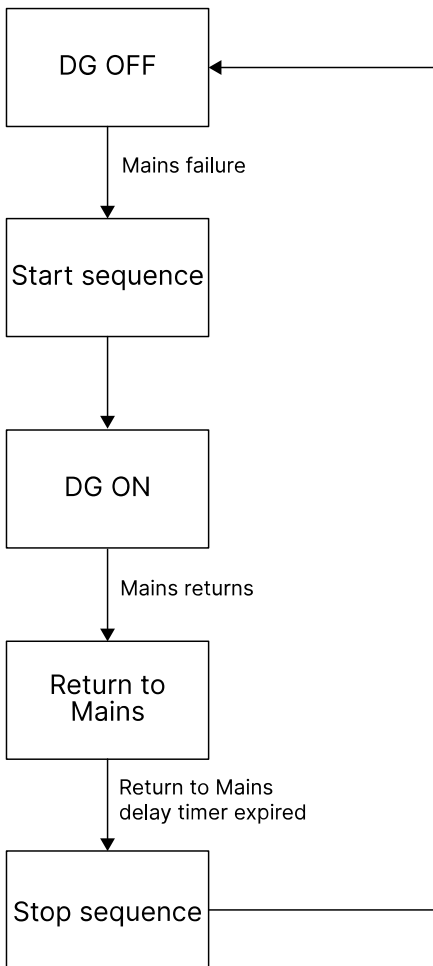
6.2.3 Automatic mains failure (AMF)



NOTE You can place the CT on the line from the genset or on the load side.

The AMF function is active when:

- Auto exercise is not enabled.
- Mains monitoring is enabled.



In the smart connect software, go to `Mains > Configuration > Mains monitoring` and make sure that mains monitoring is enabled. Go to `Module > Auto Exercise > Event 1/Event 2` and make sure that auto exercise is not enabled.

If there is a mains failure, the SGC controller can automatically start the genset and switch to generator supply (see the flowchart above) after an adjustable delay time.

The genset starts as specified by the start sequence. Once the genset loading voltage and frequency are more than their minimum set points, the *Warm-up delay* timer starts. At the end of the warm-up delay, the timer for the load transfer delay starts, and the genset breaker closes. When the mains returns, the controller synchronises the mains breaker to the busbar when the *Return to mains delay* timer has expired. The genset cools and then stops.

If the mains returns, or a stop command or shutdown alarm occurs during the engine crank time, the controller will not send a start command. You must clear all the alarms manually to start the genset again.

Timers

Timers > Start/Stop

Parameter	Range	Default
Warm-Up Delay	0 to 60 s	3 s
Return To Mains Delay	0 to 600 s	5 s
Load Transfer Delay	1 to 60 s	1 s

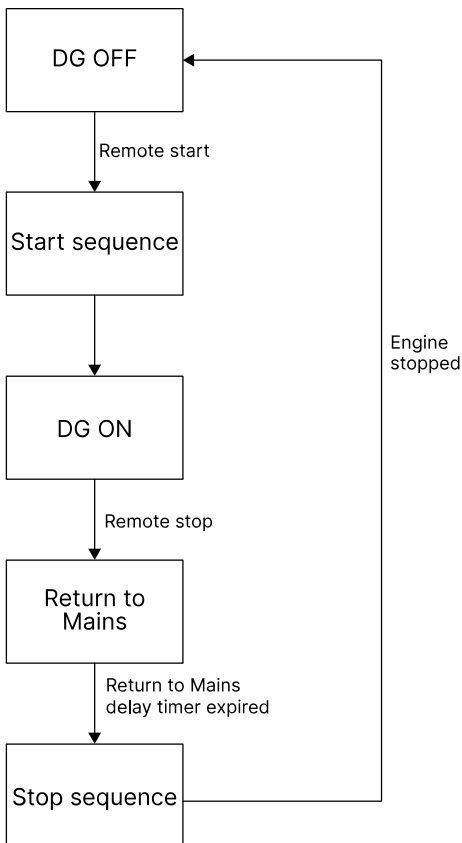
Minimum voltage and frequency set points

Generator > Alternator Configuration

Parameter	Range	Default
Min Healthy Voltage	10 to 100 %	40 %
Min Healthy Frequency	10 to 100 %	40 %

6.2.4 Remote start/stop

You can configure digital inputs as remote start/stop inputs (latched type input). You can start and stop the genset remotely by activating the configured remote start/stop inputs.



To configure the remote start/stop inputs, go to *Digital Inputs* in the smart connect software and select the source as *Remote Start/Stop*. You cannot use remote start/stop when mains monitoring is enabled. Go to *Mains > Configuration* and make sure the box next to *Mains Monitoring* is not selected.

When you activate the remote start input, the controller sends a start command to the genset. Once the genset loading voltage and frequency are more than their minimum set points, the *Warm-up delay* timer starts. At the end of the warm-up delay, the timer for the load transfer delay starts, and the genset breaker closes.

When you activate the remote stop input, the controller opens the genset breaker, and the genset cools and stops.

Minimum voltage and frequency set points

Generator > Alternator Configuration

Parameter	Range	Default
Min Healthy Voltage	10 to 100 %	40 %
Min Healthy Frequency	10 to 100 %	40 %

Timers

Timers > Start/Stop

Parameter	Range	Default
Warm-Up Delay	0 to 60 s	3 s
Load Transfer Delay	1 to 60 s	1 s

6.2.5 Auto exercise

You can use auto exercise mode to schedule a maximum of two start/stop sequences for the genset. The sequences can occur daily, weekly, or monthly. The load transfer on the mains/genset is also configurable.

The exercise mode is activated when a scheduled sequence starts. The scheduled sequence only starts if there are no alarms. The sequence runs for the adjustable *DG ON duration* time. When the *DG ON duration* timer expires or when you push the *Stop* button, the engine cools down and then stops. The controller is no longer in exercise mode when the engine has stopped. If you have scheduled two sequences to start at the same time, a minute is added to the start time for the second sequence.

The genset does not start if a sequence is scheduled to start when the controller is in manual mode. If you change the running mode to AUTO mode during a scheduled sequence, the genset starts and operates for the remaining duration time.

If the controller is in AMF mode when a sequence is scheduled to start, the controller changes to exercise mode for the *DG ON duration* time. The controller returns to AMF mode once the *DG ON duration* has expired. If a mains failure occurs during a scheduled sequence (exercise mode), the genset continues to run for the *DG ON duration* time, and then returns to the AMF mode. Load is then transferred to the genset. When the mains returns, the genset cools down and stops.

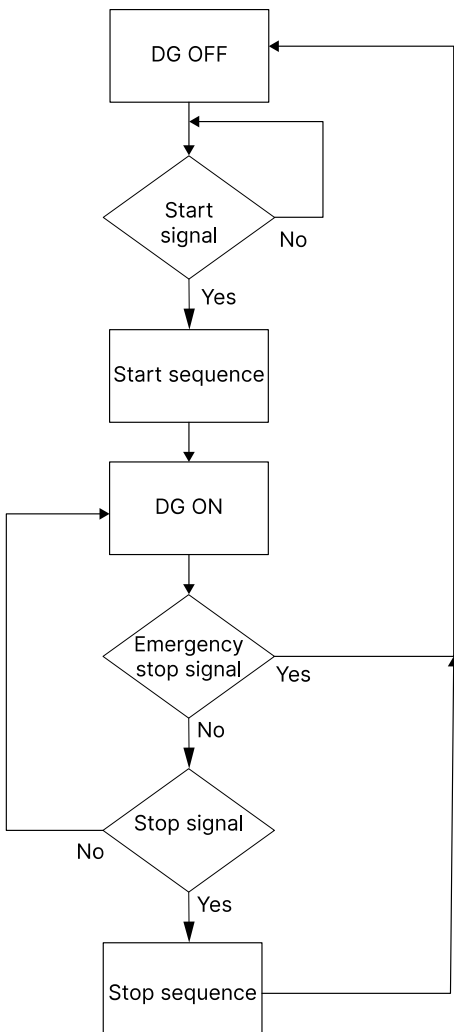
Auto exercise parameters

Module > Auto Exercise > Event 1/Event 2

Parameter	Range	Default	Description
Auto Exercise	Enable Disable	Not enabled	Select to activate auto exercise mode during the configured time interval.
Event Occurrence	Daily, weekly, or monthly	Daily	Select how often the exercise sequences occur.
Event Day	Weekly: Sunday to Saturday Monthly: 1 to 28	Sunday 1	Configure the day the sequences occur.
Start Time	00:00 to 23:59 hour	09:59 hour	Select the start time for the sequences.
Duration	99 hours and 59 min.	10 hours and 10 min.	The genset operates for this time duration.
Load Transfer	Enable Disable	Not enabled	If you have enabled this parameter, the load is on the genset. If you have not enabled this parameter, the load is transferred to the mains.

6.3 Manual mode

In manual mode, the operator must start all sequences. You can do this with the display buttons, Modbus commands, or digital inputs.



Commands in manual mode

Command	Description
Start	The start sequence is started and continues until the genset starts or the maximum number of starts attempts is reached. The controller regulates the voltage and frequency to make the genset breaker ready to close.
Stop	The stop sequence is started and continues until the genset stops. The genset is stopped with cooling down time.
Close the mains breaker	The controller closes the mains breaker if the generator breaker is open, or synchronises and closes the mains breaker if the generator breaker is closed. You can only do this with digital inputs or Modbus commands.
Open the mains breaker	The controller opens the mains breaker. You can only do this with digital inputs or Modbus commands.
Close the genset breaker	The controller closes the generator breaker if the mains breaker is open, or synchronises and closes the generator breaker if the mains breaker is closed. You can only do this with digital inputs or Modbus commands.
Open the genset breaker	The controller ramps down and opens the generator breaker at the breaker open point if the mains breaker is closed. The controller opens the generator breaker instantly if the

Command	Description
	mains breaker is open or the controller is in island mode. You can only do this with digital inputs or Modbus commands.
Acknowledge alarms	Push the acknowledge button to acknowledge an alarm in manual and AUTO mode.

6.4 Deep sleep

You can use the deep sleep function to extend the battery life. This function allows you to stop all standard functions on the controller and decrease the power consumption. The controller keeps the same status and alarms as before it went into deep sleep mode. Standard functions are activated when the controller is no longer in deep sleep mode.

In the smart connect software or on the controller, go to `Module > General > Deep Sleep Mode` to enable the deep sleep function. The controller goes into deep sleep mode after an adjustable time of inactivity. You can configure this timer in `Timers > General > Deep Sleep Mode Delay`. Push a button to exit deep sleep mode.

Parameter	Range	Default
Deep Sleep Mode	Enable Disable	Not enabled
Deep Sleep Mode Delay	5 to 1800s	10 s

The controller does not go into deep sleep mode if:

- The controller is in AUTO mode.
- Mains monitoring is enabled and the mains breaker is configured as an output.
- Modbus communication is enabled.

7. General functions

7.1 Passwords











The controller is protected from set-up changes with a four digit password.

There are two password levels that can be configured on the controller. Parameter settings cannot be changed with a lower ranking password, but are shown on the display.

Level	Access	Factory setting	Comment
1	Full access (read and write)	0123	You can read and configure all parameters.
2	Limited access (read and)	1111	You can read all parameters and configure a limited amount of parameters.

Go to the configuration menu and push the *Stop*  button to only read all parameters.

Configure the password on the controller

1. Push and hold the *Stop/Config*  to go to the configuration menu.
2. Enter the password for level 1.
3. Use the *Up*  and *Down*  buttons to go to *Misc Settings > Password 1/Password 2*, and push the *Start*  button to select.
4. Use the *Up*  and *Down*  buttons to go to the password you want to change, and select it with the *Start*  button.
5. Use the *Up*  and *Down*  buttons to choose the first digit for the new password, and push the *Start*  button to confirm your selection.
6. Repeat steps 4 and 5 for the next three digits.
7. When you have configured all four digits, a *Password changed* message is shown on the display.

7.2 AC measurement systems

The AC system can be three-phase, two-phase, single-phase, or split phase.



CAUTION



Incorrect configuration is dangerous

Configure the correct AC configuration. If in doubt, contact the switchboard manufacturer for information.

Generator > Alternator configuration

Parameter	Range	Default	Description
AC System	Single-phase (L1-N) 3-phase (L1-L2-L3-N) Split phase (L1-N-L2) Split phase (L1-N-L3) 2-phase (L1-L2-N) 2-phase (L1-L3-N) 3-phase (L1-L2-L3)	3-phase (L1-L2-L3-N)	Select the AC system for the generator.

Mains > Alternator configuration

Parameter	Range	Default	Description
AC System	Single-phase (L1-N) 3-phase (L1-L2-L3-N) Split phase (L1-N-L2) Split phase (L1-N-L3) 2-phase (L1-L2-N) 2-phase (L1-L3-N) 3-phase (L1-L2-L3)	3-phase (L1-L2-L3-N)	Select the AC system for the mains.

7.3 Nominal settings

7.3.1 Default nominal settings

Generator > Nominal Values

Text	Range	Default	Note
Nominal voltage (phase-neutral)	80 to 200000 V	230 V	Check the minimum and maximum values the SGC can read and display. Remember to include the PT.
Nominal voltage (phase-phase)	80 to 40000 V	400 V	Check the minimum and maximum values the SGC can read and display. Remember to include the PT.
Nominal frequency	5 to 75 Hz	50 Hz	Check the minimum and maximum values the SGC can read and display.
Nominal load current	0 to 8000 A	350 A	Check the minimum and maximum values the SGC can read and display. Remember to include the CT.
Nominal 4th CT current	0 to 8000 A	800 A	Check the minimum and maximum values the SGC can read and display. Remember to include the CT.
Nominal speed	100 to 4000 RPM	1500 RPM	Check the minimum and maximum values the SGC can read and display.
Nominal power (kW)	10 to 8000 kW	200 kW	Check the minimum and maximum values the SGC can read and display. Remember to include the PT.

7.3.2 Alternative nominal settings

Generator > Nominal Values

Text	Range	Default	Note
Nominal voltage (phase-neutral)	80 to 200000 V	230 V	Check the minimum and maximum values the SGC can read and display. Remember to include the PT.
Nominal voltage (phase-phase)	80 to 40000 V	400 V	Check the minimum and maximum values the SGC can read and display. Remember to include the PT.
Nominal frequency	5 to 75 Hz	60 Hz	Check the minimum and maximum values the SGC can read and display.
Nominal load current	0 to 8000 A	350 A	Check the minimum and maximum values the SGC can read and display. Remember to include the CT.

Text	Range	Default	Note
Nominal 4th CT current	0 to 8000 A	800 A	Check the minimum and maximum values the SGC can read and display. Remember to include the CT.
Nominal speed	100 to 4000 RPM	1800 RPM	Check the minimum and maximum values the SGC can read and display.
Nominal power (kW)	10 to 2000 kW	200 kW	Check the minimum and maximum values the SGC can read and display. Remember to include the PT.

7.4 Breakers

7.4.1 Breaker types

There are 2 breaker type settings.

Pulse

This setting is for breakers that have 2 separate coils for opening and closing the breaker.

The controller uses these outputs:

- To close the circuit breaker, the *Close Gen breaker* output is activated. The output is active until the *Breaker Close Pulse* timer expires. You can configure a *Breaker Feedback* timer and a digital input as *Breaker Close Feedback*. If the controller does not receive feedback before the *Breaker feedback* timer expires, a *Close Failure* alarm is shown. If *Breaker Close Feedback* is not configured, then an alarm is not shown.
- To open the circuit breaker, the *Open Gen breaker* output is activated. The output is active until the *Breaker Open Pulse* timer expires. You can configure a *Breaker Feedback* timer and a digital input as *Breaker Open Feedback*. If the controller does not receive feedback before the *Breaker feedback* timer expires, an *Open Failure* alarm is shown. If *Breaker Open Feedback* is not configured, then an alarm is not shown.

Continuous

This setting is for breakers that have a single coil for opening and closing the breaker.

The controller uses these outputs:

- To close the circuit breaker, the *Close Gen Output* is activated. You can configure a *Breaker Feedback* timer and a digital input as *Breaker Close Feedback*. If the controller does not receive feedback before the *Breaker feedback* timer expires, a *Close Failure* alarm is shown. If *Breaker Close Feedback* is not configured, then an alarm is not shown.
- To open the circuit breaker, the *Open Gen Output* is activated. You can configure a *Breaker Feedback* timer and a digital input as *Breaker Open Feedback*. If the controller does not receive feedback before the *Breaker feedback* timer expires, an *Open Failure* alarm is shown. If *Breaker Open Feedback* is not configured, then an alarm is not shown.

Timers > General

Parameter	Range	Default
Breaker feedback Timer	1 to 10 s	2 s

7.4.2 Breaker spring load timer

To avoid breaker close failures in situations where the breaker close command is given before the breaker spring has been loaded, the spring load timer can be adjusted. You can do this with the *Breaker Close Delay* timer.

Parameter	Range	Default
Breaker Close Delay	0.1 to 30 s	2 s

7.5 Load calculations

For automatic mains failure (AMF) applications, you can place the current transformer (CT) on the line from the genset or on the load cable. The load calculations are based on where the CT is placed.

If the location of the CT is on the *On Alt Output* cable, which means the CT is on the genset side, then the load calculations are based on the genset load. The calculations do not depend on the breaker output or feedback input.

If the CT is placed on the load cable, then the load calculations are based on these conditions:

- If you have configured breaker feedback for the genset breaker and the mains breaker, then the load calculations are based on the breaker feedback. For example, if the controller receives breaker feedback from the mains breaker, then the load calculations are based on the mains load.
- If you have not configured breaker feedback for the breakers, then the load calculations are based on the breaker output. This is only for a continuous breaker type setting.
- If you have not configured breaker feedbacks and the breaker type setting is a pulse, then the load calculations are based on the genset load.
- If you have not configured breaker outputs or breaker feedbacks, then the load calculations are based on the genset load.

7.6 Alarms

You can configure warning and notification alarms on the controller. For example, an alarm for low oil pressure or a warning when the fuel level is low.

An alarm is shown on the display when the measured value is outside the configured limits for that value. The alarm LED turns red and the sounder alarm activates (if configured). You can see the type of the alarm on the alarms page, and why it occurred on the engine status page.

To acknowledge an alarm, push the *Up*  and *Down*  buttons at the same time.

You can configure the time interval for when an alarm can activate. You can select alarms to activate from when the engine starts, from when monitoring is on, or always. The controller cannot send a start command if a warning, electrical trip, or shutdown alarm is unacknowledged.

Alarm types

No.	Alarm actions	Description
1	Shutdown	The genset stops immediately and no longer supplies the load. The genset ignores the cooling down time.
2	Electrical trip	The genset stops supplying the load and the cooling down time starts. The genset stops when the cooling down has finished. You must acknowledge the electrical trip alarm before the controller can send a start command.
3	Warning	The genset continues to operate when there is a warning. A warning tells the operator that something has happened during operation. You must acknowledge all warning alarms before you can start the genset.
4	Notification	The controller shows the message on the display. Genset operations are not affected.

Alarms and their causes

No.	Alarms	Cause	Actions
1	Low Oil Pressure (Sensor)	The measured oil pressure is less than the configured value.	Shutdown Warning
	Low Oil Pressure (Switch)	The switch has measured a low oil pressure.	Shutdown Warning Electrical Trip Notification
2	Low Fuel level (Sensor)	The measured fuel level is less than the configured value. This is only detected when the genset is in operation.	Shutdown Warning
	Low Fuel level (Switch)	The switch has measured a low fuel level.	Shutdown Warning Electrical Trip Notification
3	High Eng CLNT Temp (Sensor)	The measured engine coolant temperature is more than the configured value. This is only detected when the genset is in operation.	Shutdown Warning
	High Eng CLNT Temp (Switch)	The switch has measured a high engine coolant temperature.	Shutdown Warning Electrical Trip Notification
4	Low Eng CLNT Temp (Sensor)	The measured engine coolant temperature is less than the configured value.	Shutdown Warning
5	Low Water Level (Switch)	The measured radiator water level is less than the preset threshold.	Shutdown Warning Electrical Trip Notification
6	Over Speed	Genset speed is more than the configured overspeed value. The genset shuts down after overspeed delay.	Shutdown
7	Gross Over Speed	Genset speed is more than the configured value for gross overspeed. The genset shuts down immediately without delay.	Shutdown
8	Under Speed	The engine speed is less than the preset RPM.	Shutdown
9	L1 Phase Over Voltage	Genset (L1) phase voltage is more than the configured over-voltage value.	Shutdown Warning
10	L1 Phase Under Voltage	Genset (L1) phase voltage is less than the configured under-voltage value.	Shutdown Warning
11	L2 Phase Over Voltage	Genset (L2) phase voltage is more than the configured over-voltage value.	Shutdown Warning
12	L2 Phase Under Voltage	Genset (L2) phase voltage is less than the configured under-voltage value.	Shutdown Warning
13	L3 Phase Over Voltage	Genset (L3) phase voltage is more than the configured over-voltage value.	Shutdown Warning
14	L3 Phase Under Voltage	Genset (L3) phase voltage is less than the configured under-voltage value.	Shutdown Warning
15	Over Frequency	Genset output frequency is more than the configured value.	Shutdown Warning
16	Under Frequency	Genset output frequency is less than the configured value.	Shutdown Warning

No.	Alarms	Cause	Actions
17	Emergency Stop	Emergency stop is activated. Or The emergency stop is configured as a digital input, and the input has triggered for longer than the configured time.	Shutdown
18	Charge Fail	The charge alternator voltage is less than the configured value.	Shutdown Warning Electrical Trip Notification
19	Battery Over Voltage	The battery voltage is more than the configured value.	Shutdown Warning Electrical Trip Notification
20	Battery Under Voltage	The battery voltage is less than the preset threshold.	Shutdown Warning Electrical Trip Notification
21	Over Current	Genset current is more than the preset threshold.	Shutdown Warning Electrical Trip Notification
22	Maintenance Due	The timer for engine running hours has expired. An alarm occurs when the running hours or days expires.	Notification Warning
23	Over Load	The measured kW load rating is more than the configured value.	Shutdown Warning Electrical Trip Notification
24	Auxiliary input/User defined name	The auxiliary input has triggered for longer than the configured time.	Shutdown Warning Electrical Trip Notification
25	Fail To Stop	The genset is operating after the controller has sent a stop command.	Shutdown
26	Fuel Theft	The fuel consumption is more than the configured limit.	Warning
27	Unbalanced Load	The load on a phase is more than or less than other phases by a configured value.	Shutdown Warning Electrical Trip Notification
28	No Speed Signal	There is no signal from the engine speed.	Shutdown
29	Fail To Start	The genset has not started after the configured number of start attempts.	Shutdown
30	Engine Temp/ Ckt Open (terminal 24)	The temperature sensor on terminal 24 is not detected (circuit open).	Shutdown Warning Electrical Trip Notification
31	Fuel Level Ckt Open	The fuel level sensor is not detected (circuit open).	Shutdown Warning Electrical Trip Notification

No.	Alarms	Cause	Actions
32	DG Phase Reversal	Alternator phase sequence (L1-L2-L3) is not correct.	Shutdown Warning Electrical Trip Notification
33	Mains Phase Reversal	Error during mains operation.	Notification
34	LOP/Ckt Open (terminal 26)	The oil pressure sensor on terminal 26 is not detected (circuit open).	Shutdown Warning Electrical Trip Notification
35	V-Belt Broken Switch	Failure of the V-belt. The belt drives the charging alternator.	Shutdown Warning Electrical Trip Notification
36	High Oil Pressure (Sensor)	The measured oil pressure is more than the configured value.	Warning
	High Oil Pressure (Switch)	The switch has measured a high oil pressure.	Warning
37	LOP/Ckt Open (terminal 23)	The oil pressure sensor on terminal 23 is not detected (circuit open).	Warning
38	LOP/ Shrt to Bat (terminal 23)	The oil pressure sensor on terminal 23 is not detected (short circuit).	Warning
39	AFT Activation Timeout	If the fuel level is less than the set point for automatic fuel transfer (AFT), the controller activates the AFT alarm and deactivates the AFT output.	Notification
40	Communication Failure	There is an ECU communication failure.	Shutdown Warning Electrical Trip Notification
41	Protect Lamp ON	The protect lamp on the ECU is active. A failure has occurred. See the ECU specific documentation for more information.	Shutdown Warning Electrical Trip Notification
42	Amber Lamp ON	The amber lamp on the ECU is active. A failure has occurred. See the ECU specific documentation for more information.	Shutdown Warning Electrical Trip Notification
43	Red Lamp ON	The red lamp on the ECU is active. A failure has occurred. See the ECU specific documentation for more information.	Shutdown Warning Electrical Trip Notification
44	MIL Lamp ON	The malfunction (MIL) lamp on the ECU is active. A failure has occurred. See the ECU specific documentation for more information.	Shutdown Warning Electrical Trip Notification
45	Eng Preheat Failed	The engine temperature is less than the configured value after the engine heater time has expired.	Warning
46	Ash Load 100 %	The amount of ash in the particular filter is 100%. The percentage is of nominal value.	Notification Warning
47	Low Load	The load is less than the configured set point after the delay timer has expired.	Shutdown Warning Electrical Trip Notification

No.	Alarms	Cause	Actions
48	Fail To Close Gen Output	Breaker close failure. Unable to close the genset breaker.	Shutdown Warning Electrical Trip Notification
49	Fail To Close Mains Output	Breaker close failure. Unable to close the mains breaker.	Shutdown Warning Electrical Trip Notification
50	Fail To Open Gen Output	Breaker close failure. Unable to open the genset breaker.	Shutdown Warning Electrical Trip Notification
51	Fail To Open Mains Output	Breaker close failure. Unable to open the mains breaker.	Shutdown Warning Electrical Trip Notification
52	Gen PH-PH Overvolt	Over-voltage measured for the phase-to-phase generator voltage. This is only for three-phase, 3 wires applications.	Shutdown Warning
53	Gen PH-PH Undervolt	Under-voltage measured for the phase-to-phase generator voltage. This is only for three-phase, 3 wires applications.	Shutdown Warning
54	Reverse Power Detected	Alarm is based on the active power (all phases), to the source, as measured by the controller.	Shutdown Warning Electrical Trip Notification

7.7 M-Logic

The main purpose of M-Logic is to give the operator and designer more flexibility. M-Logic is used to execute different commands at predefined conditions. M-Logic is not a PLC but substitutes one, if only very simple commands are needed.

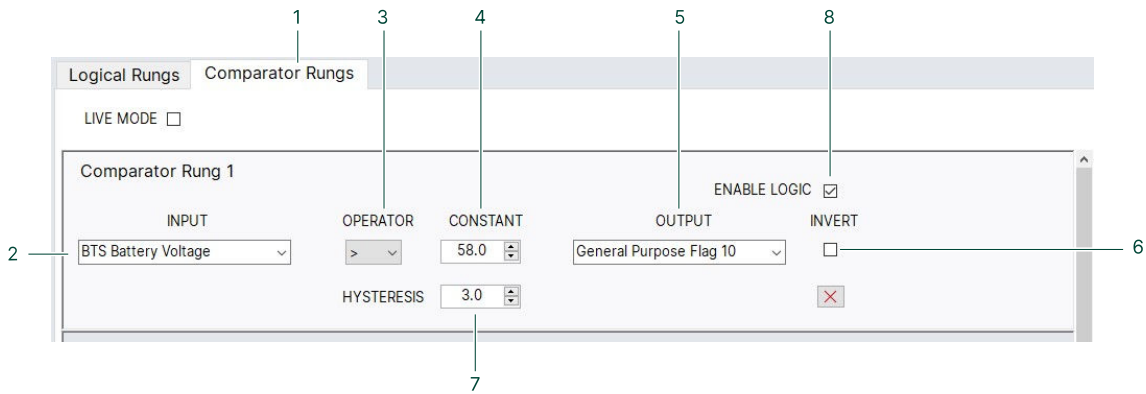
M-Logic is a simple tool based on logic events. One or more input conditions are defined, and at the activation of those inputs, the defined output will occur. You can select different inputs, for example, digital inputs, alarm conditions and running conditions. A variety of the outputs can also be selected, such as relay outputs. You can configure M-Logic in the smart connect software.

7.7.1 Analogue comparator

Use the analogue comparator in the smart connect Mk II software to compare a configurable input to a constant value. The output of the comparison can be used to activate a function or an alarm.

How to configure the analogue comparator

1. Select *M-Logic* from the left toolbar and click on the *Comparator Rungs* tab.
2. Select the input from the drop-down list. The input is an analogue value, for example, the BTS battery voltage.
3. Use the *Operator* to select if the input is greater than, less than, or equal to the constant value.
4. Enter the constant value.
5. Select the *Output* from the drop-down list.
6. To invert the output, tick the box next to *Invert*.
7. Enter a value for the hysteresis. The output is deactivated when the input value is less than the constant value minus the hysteresis.
8. To enable the logic, tick the box next to *Enable logic*.



7.8 Language

7.8.1 Language pack

The controller can show several languages. The default master language is English, which cannot be changed. Different languages for the controller display can be configured with the smart connect software

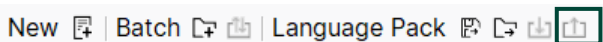
Tools > Language Pack

Parameter	Range	Default	Description
Select Active Language	English	English	Select the language shown on the controller.

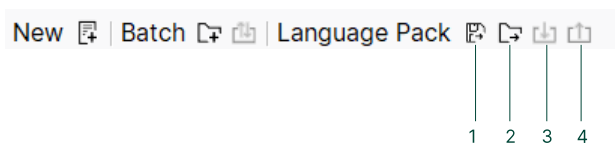
You can also upload a language pack to the smart connect software and write this to the controller. Click on the *Add* button to add a new language pack. To remove a language pack, click on the *Remove/Load Default* button.

Configure the controller language

1. Select *Language Pack* from the tools menu on the left.
2. Select the language from the *Select Active Language* drop-down list.
3. Click the *Write Language Pack to device* icon.



Language Pack menu



1. Save a language pack file.
2. Open a new language pack file.
3. Write the language pack to the SGC controller.
4. Read the language pack from the controller.

You can also use the drop-down menu for the language pack found in the top toolbar. You must have selected the **Language Pack** tab from the **Tools** menu to see this drop-down menu.

7.8.2 Smart connect language

The smart connect software can show several languages. The default master language is English, which cannot be changed. Different languages for the software can be configured.

Settings > Smart Connect Language

Parameter	Range	Default	Description
Select Active Language	English	English	Select the language shown on the controller and software.

You can also upload a language pack to the smart connect software. Click on the *Add* button to add a new language pack. To remove a language pack, click on the *Remove/Load Default* button.

8. Engine functions

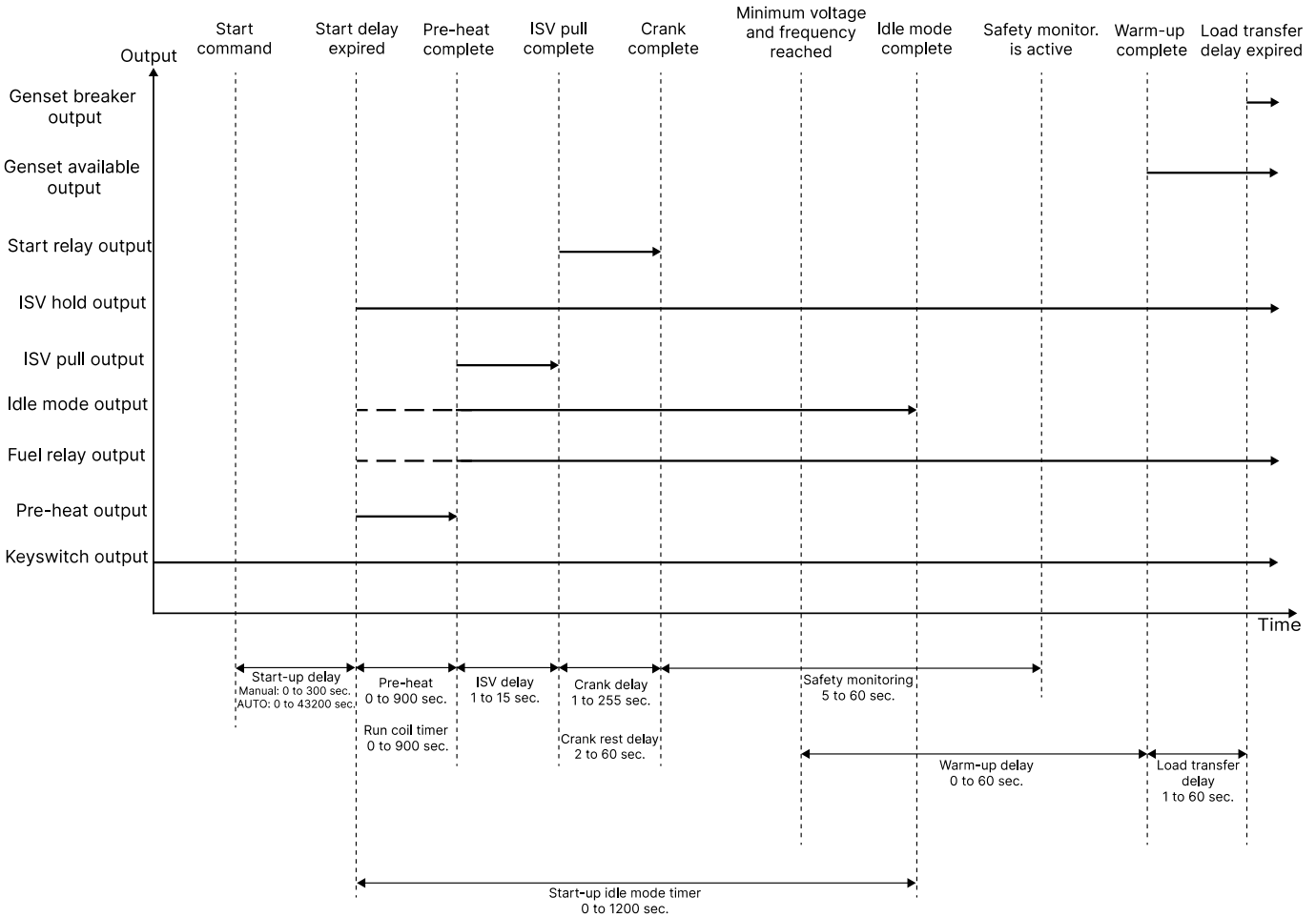
8.1 Engine sequences

The engine start and stop sequences are started automatically if AUTO mode is selected. In manual mode, the operator has to initiate the sequences.

8.2 Engine start functions

8.2.1 Start sequence

The following drawing shows the start sequence of the genset.



Configure the run coil timer to activate the fuel relay output and the idle mode output before pre-heat is completed.

Timers

Timers > Cranking

Parameter	Range	Default
Crank Hold Time	1 to 255 s	5 s
Crank Rest Time	2 to 60 s	5 s
Manual Start Delay	0 to 300s	3 s
Auto Start Delay	0 to 43200 s	3 s

Timers > General

Parameter	Range	Default
Safety Monitoring Delay	10 to 60 s	10 s
Warm-Up Delay	0 to 60 s	3 s
Inlet shutoff Valve Pull Signal	1 to 20 s	1 s

Engine

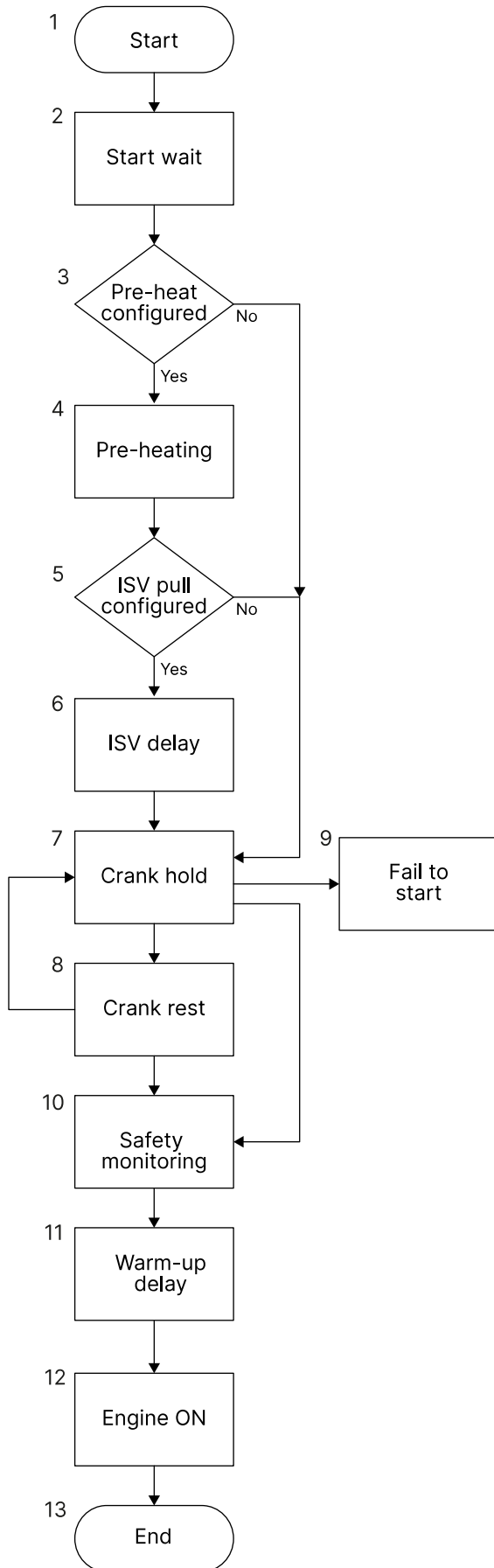
Engine > Preheat

Parameter	Range	Default
Preheat Timer	0 to 1200 s	10 s

Engine > Speed Monitoring

Parameter	Range	Default
Start-up Idle Time	1 to 900 s	1 s

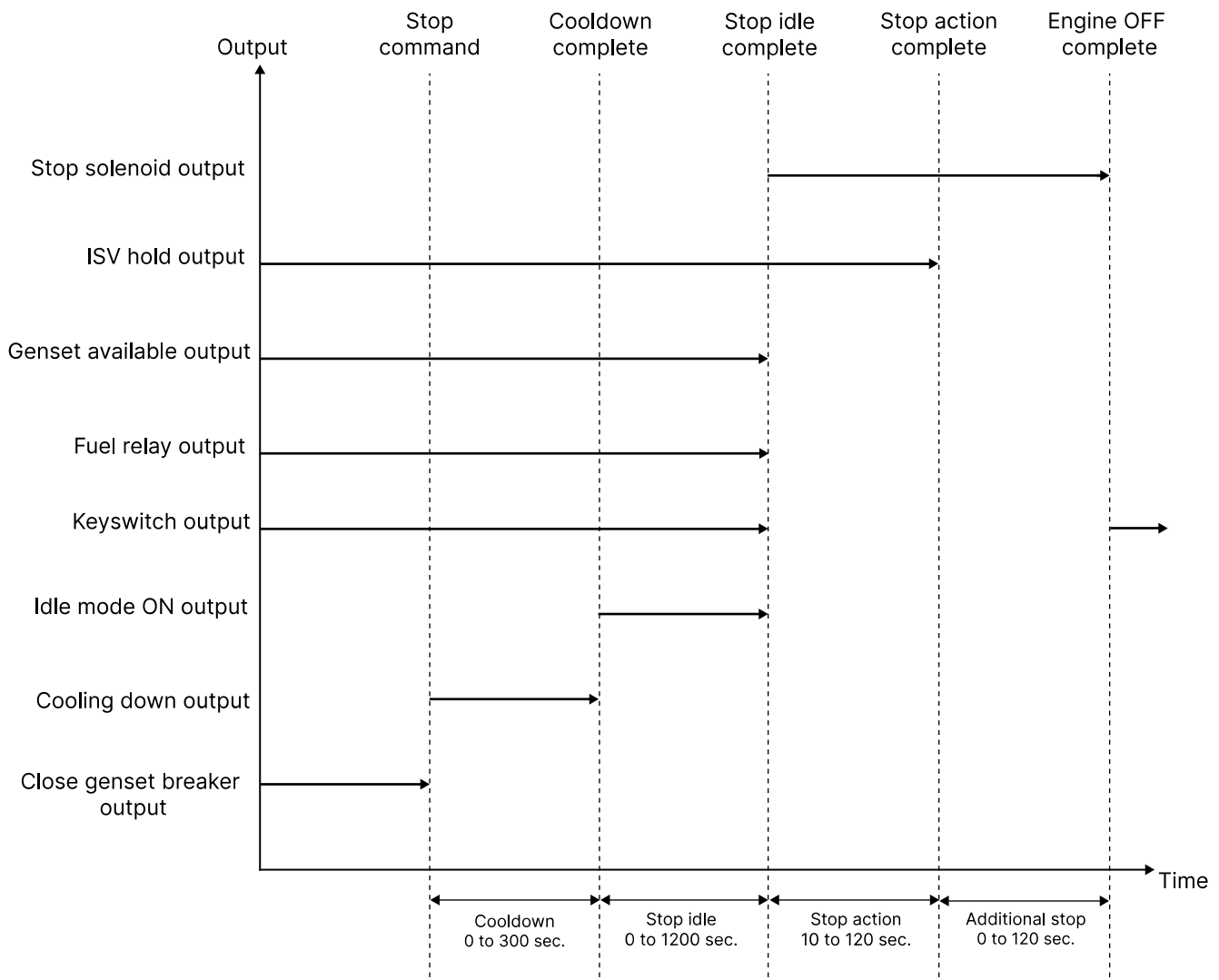
Start sequence flowchart



1. The controller sends a start signal to the genset.
2. The *Start Delay* timer is activated.
3. When the *Start Delay* timer expires, the pre-heating function is activated if this is configured. If pre-heating is not configured, go to step 7 (crank hold).
4. Pre-heating is active for the duration of the pre-heat timer (Preheat Timer).
5. When the pre-heat timer expires, the controller activates the Inlet Shutoff Valve (ISV) Pull function if this is configured. If this function is not configured, go to step 7 (crank hold).
6. The ISV pull function is active for the duration of the ISV delay timer.
7. The controller activates the start relay output and attempts to crank the engine. The controller starts the crank hold timer.
8. If the crank is not disconnected when the crank hold timer expires, the controller starts the crank rest timer. The rest time is the time between two cranking attempts. When the crank rest timer expires, the controller attempts to crank the engine again (step 7).
9. If the engine does not start after the maximum cranking attempts, the controller shows the *Fail to start* alarm.
10. The *Safety Monitoring Delay* timer starts after the crank disconnects. The engine safety parameters are not monitored for this duration.
11. The warm-up delay timer starts when the *Safety Monitoring Delay* timer expires.
12. The genset starts when the *Warm-up delay* timer expires.

8.3 Engine stop functions

8.3.1 Stop sequence



The stop sequence is activated if a stop command is given. The stop sequence includes the cooling down time if the stop is a normal or controlled stop.

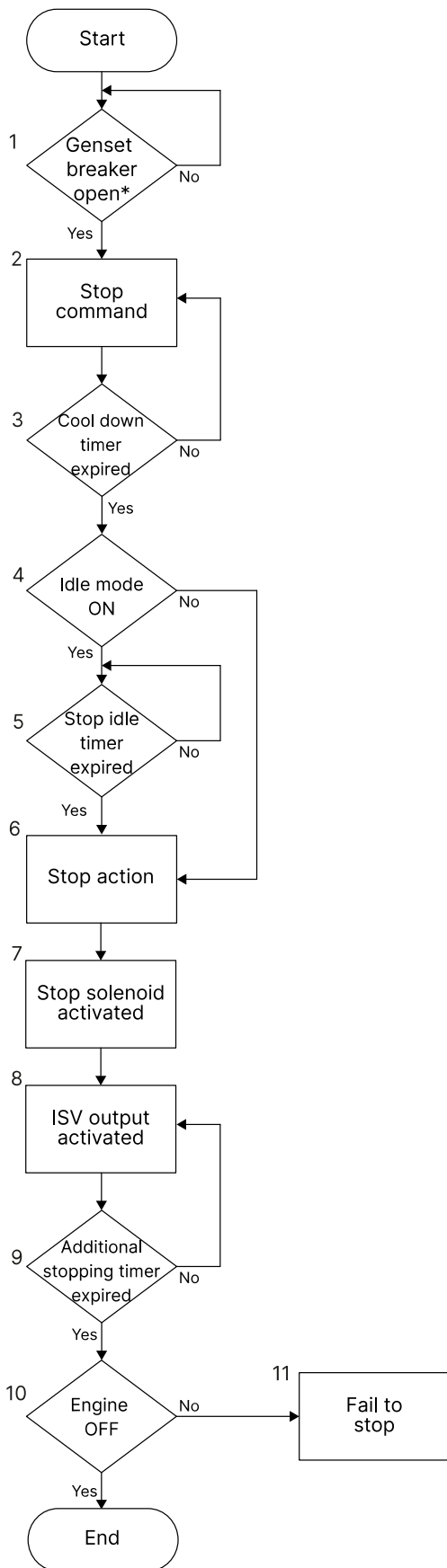
Timers > Start/Stop

Parameter	Range	Default
Engine Cooling Time	0 to 300 s	5 s
Stop Action	10 to 120 s	10 s
Additional Stopping Time	0 to 120 s	10 s

Engine > Speed Monitoring

Parameter	Range	Default
Stopping Idle Time	0 to 1200 s	10 s

8.3.2 Stop sequence flowchart



NOTE * If a breaker is configured.

1. The genset breaker opens if there is a breaker in the application.
2. A stop command is given. You can activate the command with a digital input or Modbus. You can only use the display buttons in manual mode.
3. The *Cool down* timer is activated.
4. If the idle mode output is configured, it is activated when the *Cool down* timer expires. If idle mode is not configured, then go to step 7 (stop action).
5. The *Stop Idle* timer is activated.
6. When the *Stop Idle* timer is expired, the *Stop Action* timer is activated. The fuel relay output, keyswitch output, genset available output, and Idle mode ON output are all deactivated before the *Stop action* timer is activated.
7. The *Stop solenoid* output is activated.
8. The output for the Inlet Shutoff Valve (ISV) hold is activated. The output is deactivated when the *Stop Action* timer is expired.
9. When the additional stopping timer is expired, the *Stop Solenoid* output is deactivated, and the engine stops.
10. The engine is stopped.
11. If the engine does not stop when the *Additional Stopping* timer has expired, the controller shows the *Failure to Stop* alarm.

8.4 Idle mode

The purpose of the idle mode function is to allow the engine to operate at idle speed before ramping up to rated speed.

You can activate idle mode using a digital input or a timer. If you have configured an input and a timer for idle mode, then the timer is overruled. The output assigned to idle mode can be continuous or pulse.

Configuration of digital input and output

1. Go to *Digital Inputs* and select one of the digital input tabs.
2. Select *Idle Mode Enable* as the source.
3. Select the polarity as *Close To Activate* or *Open To Activate*.
4. Go to *Digital Outputs* and select the source:
 - a. To use a continuous signal, select *Idle Mode On* as the source.
 - b. To use a pulse signal, select *Idle Mode On Pulse* and *Idle Mode Off Pulse* as two separate sources.
5. If you have selected a pulse signal as an output, you must configure the timer for the pulse.
 - a. Go to *Engine* and select *Speed Monitoring*.
 - b. Configure the *Idle Mode Pulse Time*.
6. In the *Speed monitoring* tab, configure the *Idle to Rated Delay Time*.

Idle mode is activated when the engine is started and the digital input is activate (open or close to activate). The under-voltage, under-frequency, and under-speed protections are not active during idle running.

The *Idle to Rated Delay* timer starts when the idle mode input is deactivated. The genset starts to ramp up, and when the timer expires, the genset operates at nominal speed. The under-voltage, under-frequency, and under-speed protections are also activated.

Configuration of timers

You can only activate idle mode with timers, when the *Idle Mode Enable* is deactivated.

1. Go to *Digital Inputs* and make sure that *Idle Mode Enable* is not selected as the source for a digital input.
2. Go to *Digital Outputs* and select the source:
 - a. To use a continuous signal, select *Low Idle Mode* as the source.
 - b. To use a pulse signal, select *Idle Mode On Pulse* and *Idle Mode OFF Pulse* as two separate sources.
3. If you have selected a pulse signal as an output, you must configure the timer for the pulse.
 - a. Go to *Engine* and select *Speed Monitoring*.
 - b. Configure the *Idle Mode Pulse Time*.
4. Go to *Engine* and select *Speed Monitoring*.
5. Configure the *Startup Idle Mode Time* timer.

Idle mode is activated when the engine starts. The under-voltage, under-frequency, and under-speed protections are not active during idle running.

The engine operates in idle mode until the *Startup Idle Mode Time* timer expires. When this timer expires, the *Idle to Rated Delay Time* timer starts. The genset ramps up, and operates at nominal speed when the *Idle to Rate Delay Time* timer expires. The under-voltage, under-frequency, and under-speed protections are also activated.

If the controller is in manual mode during idle running, and you push the start button, the controller stops the idle running, and starts to ramp up the genset.

Stop sequence for idle mode

You can also activate idle mode during the stop sequence. Go to *Engine > Speed Monitoring > Stopping Idle Time* to configure the timer for the idle stop time. If you set the timer to 0 seconds, idle mode is not activated during the stop sequence. The under-voltage, under-frequency, and under-speed protections are not active in idle mode.

When the stop sequence for the genset is activated, the *Stopping Idle Time* timer starts. When the timer expires, the genset stops.

Idle mode parameters

Engine > Speed Monitoring

Parameter	Range	Default
Idle to Rated Delay Time	0 to 1200 s	10 s
Start-up Idle Mode Time	0 to 1200 s	10 s
Stopping Idle Mode Time	0 to 1200 s	10 s
Idle Mode Pulse Time	0 to 60 s	2 s

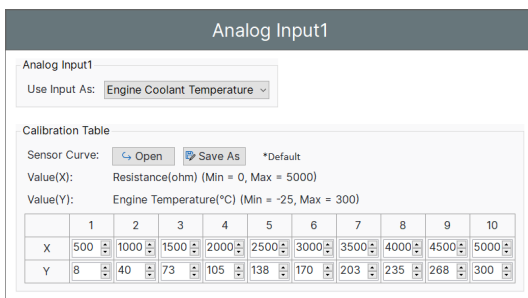
8.5 Coolant temperature control

You can use the controller to control the coolant temperature of the engine.

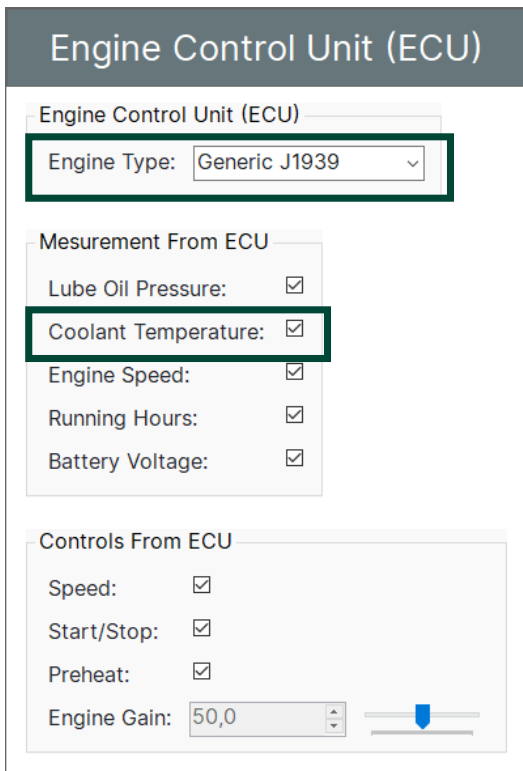
By default, the engine coolant temperature is not enabled. To use this function, you must configure an analogue input as a temperature sensor or use the Engine Control Unit (ECU).

Configure the coolant temperature sensor with the smart connect software

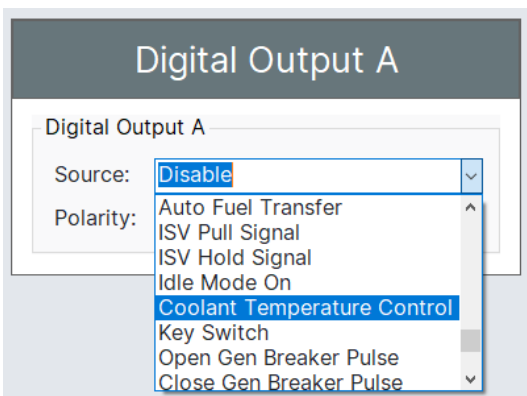
1. If you use an analogue input:
 - a. Go the *Analogue Inputs* tab and select one of the analogue inputs.
 - b. For *Use input As* select *Engine Coolant Temperature Sensor* in the drop-down list.



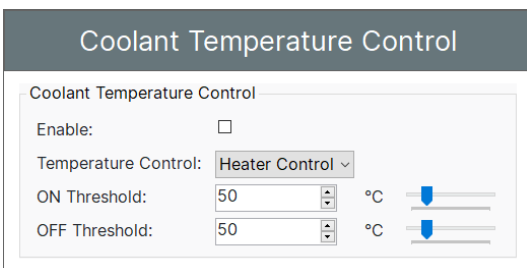
- c. Configure the calibration table values. To add a custom sensor curve, click the *Open* button, and select your file.
2. If you use an ECU:
 - a. Go to the *ECU Configuration* tab and select *Engine Control Unit (ECU)*.
 - b. For *Engine type* select the correct ECU. Do not select *Conventional*.
 - c. Make sure that the tick box next to *Coolant Temperature* is selected.



3. Go to the *Digital Outputs* tab and select the output you want to use.
4. Use the drop-down list next to the output to select *Coolant Temperature Control* as the source.



5. Go to the *Engine* tab and select *Coolant Temperature Control*.
6. Select the tick box next to *Enable* to enable the coolant temperature control.
7. For *Temperature Control*, use the drop-down list to select *Heater Control* or *Cooler control*.
8. Configure the ON and OFF threshold.



Heater control

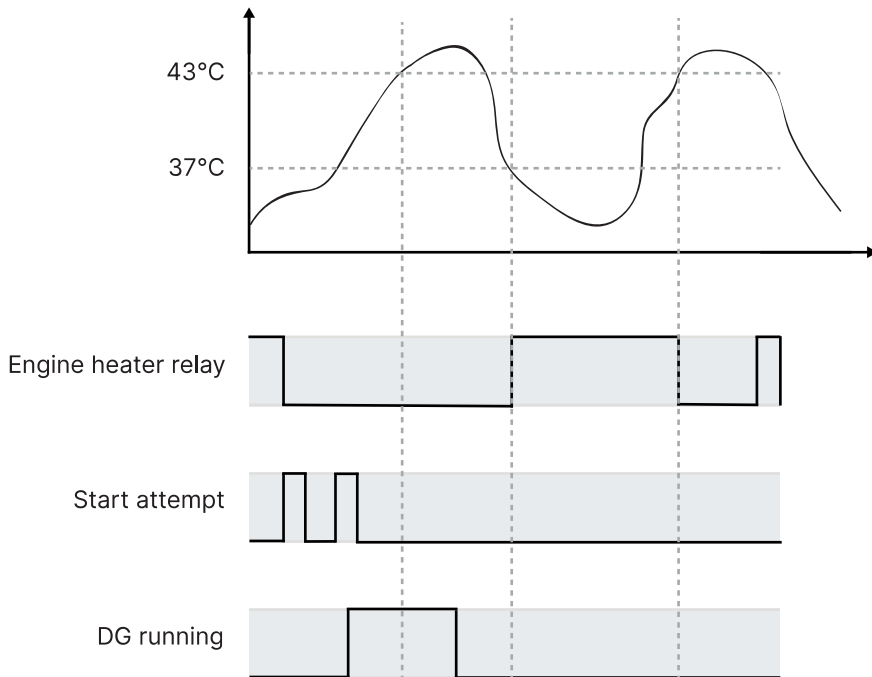
When the coolant temperature is less than the *ON Threshold* value, the output is on. When the coolant temperature is more than the *OFF Threshold* value, the output is off.

Cooler control

When the coolant temperature is more than the *ON Threshold* value, the output is on. When the coolant temperature is less than the *OFF Threshold* value, the output is off.

8.6 Engine pre-heater

This function is used to control the temperature of the engine before the engine starts. The function is only active when the engine is stopped. A temperature sensor is used to activate an external heating system to keep the engine at a minimum temperature.



The function includes a set point and a hysteresis. In the example, the set point is 40 °C with a hysteresis of 3 °C. The controller opens the engine heater relay when the engine has reached 43 °C and closes when the engine temperature is 37 °C. You must select a relay for the engine heater. If the engine heater is active, and the manual control command has been activated, the engine heater relay is opened. When the command is activated again, the heater relay closes if the temperature is below the set point.

Configure the preheat function

1. Go to *Analogue Inputs* and select one of the analogue inputs.
2. Set the *Use Input As* to *Engine Coolant Temperature Sensor*.
3. Go to *Digital Outputs*, select one of the digital outs, and set the source as *Preheat Output*.
4. Go to *Engine* and then select *Preheat*.
5. Configure the preheat parameters.

Preheat

Preheat

Preheat Timer: 10 Sec

Engine Coolant Temperature:

Engine Coolant Temp Threshold: 25 °C

Engine > Preheat

Parameter	Range	Default	Description
Pre-heat Timer	1 to 900 s	10 s	The pre-heat function deactivates when this timer expires.
Engine Coolant Temperature	Enable Disable	Not enabled	If this parameter is enabled, the controller deactivates the pre-heater function when engine temperature is more than the set point for the engine temperature (Engine Coolant Temp Threshold).
Engine Coolant Temp Threshold	10 to 300 °C	25 °C	The coolant temperature the engine must reach during pre-heat.

8.7 Other functions

8.7.1 Maintenance timer

The controller has one timer to monitor maintenance intervals.

The timer function is based on engine running hours or a due date. When the adjusted timer expires, the controller displays an alarm.

To configure the maintenance timer, push and hold the *Stop* button to go to the Configuration menu. Select *Maintenance*.

Configuration menu > Maintenance

Parameter text	Range	Default
Alarm Action	None Notification Warning	None
Due At Engine Hours	0 to 65000 hours	250 hours
Ash Load Enable	Enable Disable	Not enabled
Alarm Due Date	-	Today's date

8.7.2 Keyswitch

Output function

You can configure the keyswitch function with the smart connect software. Go to *Digital Outputs* and configure one of the outputs as *Keyswitch*.

Wiring

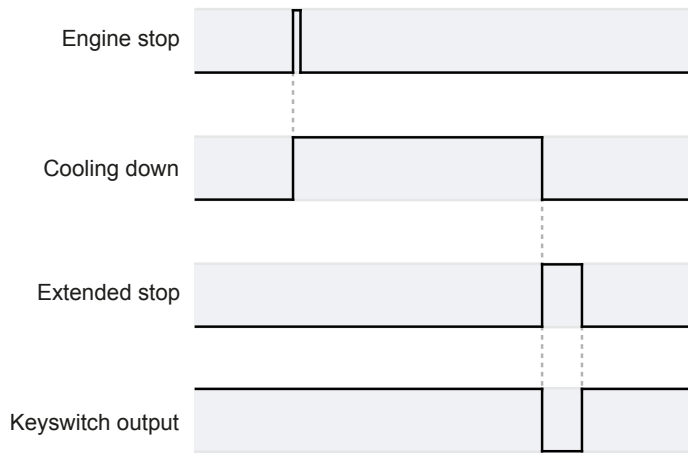
Wire the keyswitch relay output to the ECU power. When the relay is open, the ECU has no power.

How it works

For the first 5 seconds after the SGC controller is powered on, the keyswitch relay is open.

How the keyswitch functions works:

1. There is an engine stop command.
2. The *Cooling down* timer starts.
3. When the cooling down timer expires, the SGC starts the *Extended stop* timer, and opens the keyswitch relay.
4. The relay is open until the extended stop timer expires.



9. Modbus

9.1 About

The SGC controller supports a custom protocol based on the standard Modbus over an RS-485 layer. The controller operates in a server mode and responds to commands received from an external Modbus client.

This document will only describe the information required to communicate with the controller using the Modbus protocol. For more information about Modbus in general and the Modbus protocol, refer to the documentation freely available at <http://www.modbus.org>.

Refer to the Modbus tables, available for download at www.deif.com, to see how the controller data is mapped to the Modbus addresses.

9.2 Connection details

The controller uses Modbus RTU as the transmission mode.

Byte format for communication

- Start bit: 1
- Data bits: 8
- Parity: None
- Stop bit: 1
- Cyclic Redundancy Check (CRC)

Setting up Modbus communication

1. Connect the controller terminals 31 and 32 to the SMPS terminals A and B.
 - Use a Belden 3105A cable or equivalent, 24 AWG (0.5 mm²) twisted pair, shielded, impedance 120 Ω , <40 m Ω /m, min. 95 % shield coverage.
2. Connect the controller terminal 30 to the ground of the SMPS. If the SMPS does not have a ground connection, leave terminal 30 open.
 - Use a two-core shielded cable for the connection.
3. Find the server ID from the SMPS and configure the same ID on the controller.
4. Enable the controller on the SMPS.

NOTE Do not use multi-strand wires for the connections.

9.3 RS-485 communication settings

- Server ID: 1 to 247
- Baud rate: 1200/2400/4800/9600/19200/38400/57600/115200 bps
- Parity: None/Even/Odd
- Stop bit: 1, 2
- Recommended polling frequency: 50 Hz
- No response timeout: 250 ms

10. CAN bus engine communication

10.1 Overview

10.1.1 About

There can be CAN bus communication between SGC controller and several engine types.

The SGC controller receives information from the Engine Control Unit (ECU) of the engine. The controller can use the information as input for its own control functions. The SGC can also use the information as display values, alarms, and as values to be transmitted through Modbus. If the ECU allows it, the SGC can send telegrams with commands and set points.

You can read the engine data from the SGC over Modbus. See the **Modbus tables** for more information.

NOTE See the ECU user manuals for the ECU protocol technical description and details of each communication value.

Default settings

The SGC is delivered with a set of default settings for engine communication. These settings are not necessarily correct for your engine or genset. Check all the settings before you operate the engine or genset.

Other engines and controllers

For engines and controllers not listed in this document, contact DEIF.

10.1.2 Supported engines

The SGC controller can communicate with these engines:

Manufacturer	SGC can write commands
Cummins	Yes
Cummins 500	Yes
Cummins 558	Yes
Cummins 570	Yes
Cummins 850	Yes
Cummins 2150	Yes
Cummins 2250	Yes
DCEC Cummins	Yes
Deutz - EMR	Yes
Generic J1939	Yes
Hatz	Yes
Iveco	Yes
KUBOTA	Yes
MTU	Yes
Perkins ADEM4	Yes
Scania	Yes
Volvo Penta	Yes
Weichai	Yes


Manufacturer	SGC can write commands
Yuchai BOSCH	Yes
Yuchai YCHCU ECU	Yes

10.1.3 Show engine values in the display

You can configure the SGC controller to show values from the ECU on the display.

Default view configuration

Use the Smart connect software to configure the ECU values you want to display on the controller. Go to `Engine > Engine Control Unit (ECU)` to configure the values.

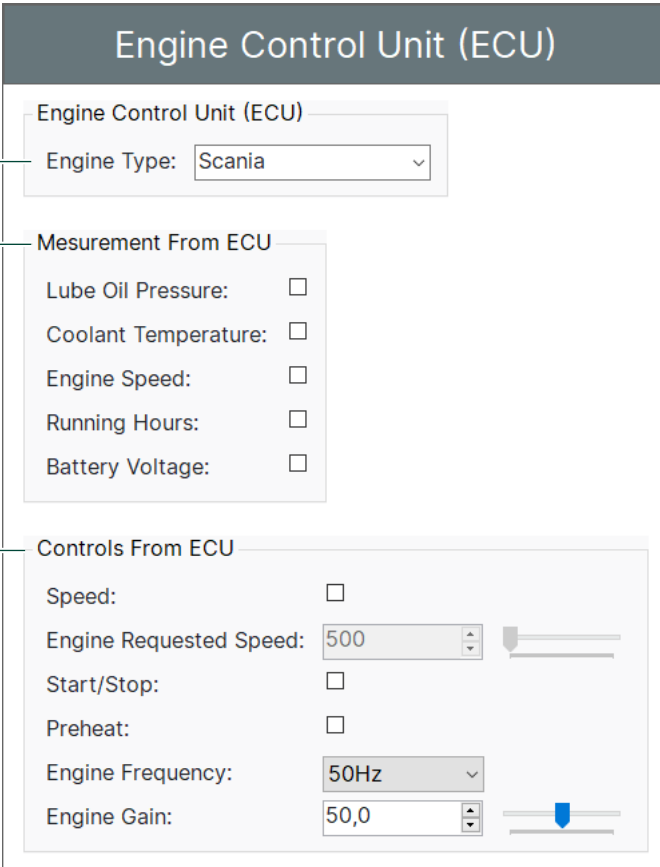
To see the ECU display view on the controller, push the down  button and hold for 3 seconds. To exit the ECU display views, push and hold the down button for 3 seconds. The ECU view pages are only shown if you have configured the ECU parameters.

10.2 Configuration of the engine communication settings

Use the smart connect software to configure the engine communication settings for the SGC controller.

Open the smart connect software and connect to the SGC controller. Go to `Select Module > ECU Configuration` to see the engine communication settings.

Engine Control Unit (ECU)



The screenshot shows the 'Engine Control Unit (ECU)' configuration screen. It is divided into three numbered sections:

- Engine Type:** A dropdown menu currently set to 'Scania'.
- Measurement From ECU:** A list of five checkboxes:
 - Lube Oil Pressure:
 - Coolant Temperature:
 - Engine Speed:
 - Running Hours:
 - Battery Voltage:
- Controls From ECU:** A list of controls:
 - Speed:
 - Engine Requested Speed: 500 (with a slider)
 - Start/Stop:
 - Preheat:
 - Engine Frequency: 50Hz (with a dropdown)
 - Engine Gain: 50,0 (with a slider)

No.	Function
1	Select the engine type from the drop-down list.
2	Select types of measurements from the ECU.
3	Select the functions the SGC controls for the ECU: <ul style="list-style-type: none"> • Engine speed • Engine start/stop • Engine preheat • Engine gain

ECU Communication

The screenshot shows the 'ECU Communication' configuration window. It is divided into two main sections:

- ECU Communication Failure:**
 - Action: None
 - Activation: Never
 - Activation Delay: 1 Sec
- Communication Set-Up:**
 - SGC Source Address: 3
 - ECU Source Address: 0

No.	Function
1	Configure the settings for the ECU failure alarm.
2	Configure source addresses for the SGC controller and the ECU. See the specific documentation for the engine/ECU for information about the source address.

ECU Diagnostic Lamps

ECU Diagnostic Lamps

Amber Lamp

Action:

Activation:

Activation Delay: Sec

Malfunction Lamp

Action:

Activation:

Activation Delay: Sec

Red Lamp

Action:

Activation:

Activation Delay: Sec

Protect Lamp

Action:

Activation:

Activation Delay: Sec

Function

Configure the settings for the diagnostic lamps on the ECU:

- Amber lamp
- Red lamp
- Malfunction lamp
- Protect lamp

See the specific documentation for the engine/ECU for more information.

10.3 Generic J1939

Most of the engine communication protocols are based on SAE J1939. J1939 is a very large standard, and most of it is irrelevant to engine communication. The SGC supports only relevant parts of J1939.

Basic information

- Engine controller/type: a controller that uses generic J1939.
- In the smart connect software: select Generic J1939.
- Complies with the J1939 standard.
- Baud rate: 250 kb/s

Warnings and shutdowns





These standard warnings and shutdowns are supported:

- EIC yellow lamp
- EIC red lamp
- EIC malfunction

- EIC protection

Alarms on the display

The display can show J1939 diagnostic messages. You can acknowledge these alarms from the display. For some engines, the display has a special alarm display (see the specific engine type).

Push the *Down*  button for 4 seconds to see the alarm log. By default, the alarm log shows the DM1 alarms. Push the *Down*  button to select DM2. Use the *Up*  and *Down*  buttons to go through the alarm list.

oc##: Shows how many times a specific alarm has occurred.

CLRALL: Push ENTER to clear the entire alarm log list. For safety reasons, this requires the master password.

Selection	Description
DM1	The active alarms.
DM2	The historic alarm log list (since the last clear).

NOTE If the controller has no translation text for an SPN diagnostic number, Text N/A is shown. For information about particular SPN numbers, see the engine manufacturer's documentation. Alternatively, see SAE J1939-71 for a general description.

Controls to the ECU

Command	Description
Speed	The controller writes the configured engine speed to the ECU.
Start/stop	The controller writes the start/stop commands to the ECU.
Pre-heat	The pre-heat function is activated when the controller writes this command to the ECU. The pre-heat output does not need to be configured.

Measurements from the ECU

Command	Description
Lube oil pressure	The controller can read and monitor the lube oil pressure from the ECU.
Coolant temperature	The controller can read and monitor the coolant temperature from the ECU.
Engine speed	The controller can read and monitor the engine speed from the ECU.
Running hours	The controller can read and monitor the running hours from the ECU.
Battery voltage	The controller can read and monitor the battery voltage from the ECU.

TSC1 SA Torque Speed Control

Torque Speed Control 1 (TSC1) is the speed control signal from the SGC to the ECU. For known protocols, the SGC uses the expected source address when TSC1 SA is -1 (default value). You can configure the controller for a specific source address (the range is 0 to 255). Ask the engine manufacturer to verify the TSC1 source address.

11. Inputs and outputs

11.1 Digital inputs

No.	Source	Description
1	Not used	The digital input is not used.
2	User configured	The digital input is configured by the user.
3	Low fuel level switch	The input is activated when the fuel level is less than the configured value. The configured alarm is shown. You can configure the alarm type.
4	Low lube oil pressure switch	The input is activated when the lube oil pressure is less than the configured value. The configured alarm is shown. You can configure the alarm type.
5	High engine coolant temp switch	The input is activated when the engine coolant temperature is more than the configured value. The configured alarm is shown. You can configure the alarm type.
6	Low water level switch	The input is activated when the water level is less than the configured value. The configured alarm is shown. You can configure the alarm type.
7	Emergency stop	When this input is activated, the controller stops the genset immediately without a cool down period.
8	Remote start/stop	This input initiates the start or stop sequence of the genset when the controller is in AUTO mode.
9	Manual start	This input initiates the start sequence of the genset when the controller is in manual mode.
10	Manual stop	This input initiates the stop sequence of the genset when the controller is in manual mode.
11	Activate/deactivate AUTO mode	<p>One of these sequences is initiated if this input is activated in manual mode:</p> <ol style="list-style-type: none"> 1. Mains monitoring is enabled and there is a mains failure. The operator activates AUTO mode. The controller then automatically initiates the genset start sequence and closes the genset breaker. 2. Mains monitoring is enabled and the mains can supply the load. The operator deactivates AUTO mode. The controller then automatically stops the genset and closes the mains breaker. 3. Mains monitoring is enabled and the mains can supply the load. The operator activates AUTO mode. The controller then automatically stops the genset.
12	Close gen/open mains switch	The genset breaker closes and the mains breaker opens when this input is activated. The genset must be running.
13	Close mains/open gen switch	The genset breaker opens and the mains breaker closes when this input is activated. The genset must be running.
14	Simulate mains	<p>In AUTO mode:</p> <ul style="list-style-type: none"> • Mains monitoring is enabled and there is a mains failure. The input is activated and used to simulate the return of the mains and the mains breaker closing. • Mains monitoring is enabled and there is a mains failure. The input is deactivated. The controller automatically starts the genset and closes the genset breaker. <p>In manual mode:</p> <ul style="list-style-type: none"> • Mains monitoring is enabled and there is a mains failure. The input is activated and used to simulate the return of the mains and the mains breaker closing.

No.	Source	Description
		<ul style="list-style-type: none"> Mains monitoring is enabled and there is a mains failure. The input is deactivated. The is still a mains failure and the mains breaker opens.
15	V-belt broken switch	When this input is activated an alarm is shown on the display. You can configure the alarm type.
16	Neutral SW signal	This input is for CAN bus.
17	Regeneration SW inhibit signal	This input is for CAN bus.
18	Mains contactor latched	When this input is activated, the mains breaker closes and the genset breaker opens.
19	Gen contactor latched	When this input is activated, the genset breaker closes and the mains breaker opens.
20	Idle mode enable	You can activate idle mode with this input.
21	Alternate nominal switch	If this input is activated, the default nominal settings switch to the alternative nominal settings.

11.2 Digital outputs


No.	Output source	Description
1	Disable	The output is not used.
2	Sounder alarm	This output is high when an alarm is generated. The output is active for the duration of the alarm.
3	Battery over volt	This output is activated when there is an active alarm for battery over-voltage.
4	Battery under volt	This output is activated when there is an active alarm for battery under-voltage.
5	Charge alt shutdown	This output is activated when there is an active shutdown alarm for charge failure.
6	Charge alt warning	This output is activated when there is an active warning alarm for charge failure.
7	Close gen contactor	This output is activated when the digital input for close genset/open mains is activated in manual mode.
8	Close mains contactor	This output is activated when the digital input for close mains/open genset is activated in manual mode.
9	Mains failure	This output is activated when there is a mains failure.
10	Common alarm	This output is activated when one of the alarm types is activated.
11	Common electrical trip	This output is activated when there is an active electrical trip alarm.
12	Common shutdown	This output is activated when there is an active shutdown alarm.
13	Common warning	This output is activated when there is an active warning alarm.
14	Cooling down	This output is activated when the cooldown period of the genset is initiated. The output is activate for the duration of the period.
15	Dig In A	This output is activated when digital input A is activated.
16	Dig In B	This output is activated when digital input B is activated.
17	Dig In C	This output is activated when digital input C is activated.
18	Dig In D	This output is activated when digital input D is activated.
19	Dig In E	This output is activated when digital input E is activated.

No.	Output source	Description
20	Dig In F	This output is activated when digital input F is activated.
21	Dig In G	This output is activated when digital input G is activated.
22	Dig In H	This output is activated when digital input H is activated.
23	Dig In I	This output is activated when digital input I is activated.
24	Emergency stop	This output is activated when the emergency stop is activated.
25	Stop solenoid	This output is activated when the stop solenoid output is high.
26	Fail to start	This output is activated when the fail to start alarm is activated.
27	Fail to stop	This output is activated when the fail to stop alarm is activated.
28	Fuel relay	This output is activate when the fuel relay is active.
29	Gen available	This output is activated when the timer for the warm-up delay expires.
30	L1 phase OV shutdown	This output is activated when the over-voltage shutdown alarm for phase L1 is activated.
31	L1 phase UV shutdown	This output is activated when the under-voltage shutdown alarm for phase L1 is activated.
32	L2 phase OV shutdown	This output is activated when the over-voltage shutdown alarm for phase L2 is activated.
33	L2 phase UV shutdown	This output is activated when the under-voltage shutdown alarm for phase L2 is activated.
34	L3 phase OV shutdown	This output is activated when the over-voltage shutdown alarm for phase L3 is activated.
35	L3 Phase UV Shutdown	This output is activated when the under-voltage shutdown alarm for phase L3 is activated.
36	Gen over current	This output is activated when the controller shuts down the genset because of over-current.
37	High engine coolant temp	This output is activated when the alarm for high engine temperature is activated.
38	Low fuel LVL	This output is activated when the low fuel alarm is activated.
39	Low LOP	This output is activated when the low LOP alarm is activated.
40	Mains high volt	This output is activated when the mains voltage is more than the configured value.
41	Mains low volt	This output is activated when the mains voltage is less than the configured value.
42	Oil pressure open circuit	This output is activated when the alarm for oil pressure (open circuit) is activated.
43	Open gen contactor	This output is activated when: <ul style="list-style-type: none"> • The close mains/open genset input is activated or • When the load is transferred to the mains in AMF mode.
44	Open mains contactor	This output is activated when: <ul style="list-style-type: none"> • The close genset/open mains input is activated or • When the load is transferred to the genset.
45	Over freq shutdown	This output is activated when the shutdown alarm for over-frequency is activated.
46	Over speed shutdown	This output is activated when the shutdown alarm for overspeed is activated.

No.	Output source	Description
47	Gross over speed shutdown	This output is activated when the shutdown alarm for gross overspeed is activated.
48	Start relay	This output is activated when the start relay is activated during the engine start sequence.
49	Temp sensor open circuit	This output is activated when the alarm for the temperature sensor (open circuit) is activated.
50	Under freq shutdown	This output is activated when the shutdown alarm for under-frequency is activated.
51	Under speed shutdown	This output is activated when the shutdown alarm for under-speed is activated.
52	Maintenance due	This output is activated when the maintenance alarm is activated.
53	Stop mode	This output is activated when the stop sequence is initiated.
54	Auto mode	This output is activate when the controller is in AUTO mode.
55	Manual mode	This output is activate when the controller is in manual mode.
56	Preheat output	This output is activated when the pre-heater is activated. The output is active for the duration of the pre-heat timer.
57	Automatic fuel transfer	This output is activated when the automatic fuel transfer output is activated.
58	ISV pull signal	This output is high when the start command is given. The output is high for an adjustable time.
59	ISV hold signal	This output is activated when the start command is given. The output is deactivated when the stop command is given and the engine has stopped.
60	Low idle mode	This output is activated when the genset is operating at low idle speed.
61	Coolant control output	This output is activated when the coolant temperature is outside the set points configured for the temperature.
62	Keyswitch	This output is active during the start sequence. It is not active during the stop sequence.
63	Open Gen Breaker Pulse	If this output is activated, a pulse is generated to open the genset breaker.
64	Close Gen Breaker Pulse	If this output is activated, a pulse is generated to close the genset breaker
65	Open Mains Breaker Pulse	If this output is activated, a pulse is generated to open the mains breaker
66	Close Mains Breaker Pulse	If this output is activated, a pulse is generated to close the mains breaker
67	Idle Mode On Pulse	If this output is activated, a pulse is generated to activate idle mode.
68	Idle Mode Off Pulse	If this output is activated, a pulse is generated to deactivate idle mode.

12. Troubleshooting

General troubleshooting

Fault	Action
The controller does not power ON.	<ul style="list-style-type: none"> • Check the battery voltage. • Check the fuse on the battery supply. • Check continuity between battery positive and controller terminal 2. • Check continuity between battery ground and controller terminal 1.
The controller display freezes or hangs up.	<ul style="list-style-type: none"> • Reset the controller power.
The controller fails to crank-start the engine.	<ul style="list-style-type: none"> • Check the battery voltage. • Go to the Configuration menu on the controller. Make sure the start output is configured correctly. Measure the output voltage to make sure the output is working. • Go to the Configuration menu on the controller. Make sure the crank disconnect method and the LLOP switch polarity are configured correctly. Make sure that the lube oil pressure switch and sensor are working correctly. Do a check of the wiring for the switch and sensor.
The emergency stop alarm is shown when the emergency stop is not active.	<ul style="list-style-type: none"> • Check if the Emergency stop switch is working correctly. Make sure to also do a check of the wiring for the switch. • Go to the Configuration menu. Make sure the emergency stop polarity is configured correctly.
The controller incorrect shows shutdown or warning alarms.	<ul style="list-style-type: none"> • Check the switch, sensor and wiring. • Go to the Configuration menu. Make sure the threshold is configured correctly.
The controller shows a charge fail alarm.	<ul style="list-style-type: none"> • To check if the controller's charging alternator terminal is working: <ul style="list-style-type: none"> ◦ Disconnect the charging alternator wiring to the controller's terminal 7. ◦ Short terminal 7 to the ground through a DC ammeter. ◦ Crank-start the engine. ◦ The DC ammeter should indicate the current in the range of 200 to 400 mA for ~30 seconds. ◦ If yes, the controller's charging alternator terminal is working OK. • Disconnect and re-connect the charging alternator ind connection to the controller's terminal 7. • Check if the charging alternator is working OK.
The controller shows error C03.	<p>Error C03 can occur if the controller is disconnected from the PC during a configuration.</p> <ol style="list-style-type: none"> 1. Push and hold the <i>Stop/Config</i>  button during a power cycle to reset the controller. 2. Send the configuration file again.
The controller sends a crank-start command immediately after power on.	<ul style="list-style-type: none"> • Make sure that the controller's output terminal is not directly connected to the starter relay. The controller's output should be given to an intermediate relay which should in-turn power the starter relay. The controller can get permanently damaged and will need to be replaced if this precaution is not taken. • Check start-relay connection with the corresponding controller terminal. • Go to the Configuration menu on the controller. Make sure that the start mode and polarity for the start relay output are configured correctly.

Fault	Action
The engine runs, but the controller shows genset to be OFF.	<ul style="list-style-type: none"> • Check if the MPU signal (if used), and main alternator voltage signal (L1 phase) are received by the controller terminals. • Check if the LOP and LLOP are working OK. Check the wiring to the controller.
The controller shows incorrect PF value or kW or load current.	<ul style="list-style-type: none"> • Check wiring of the alternator phase voltage and the CT to the controller. • Check the CT ratio (if kW or current reading is faulty).
The controller shows incorrect mains voltage or incorrect main alternator voltage.	<ul style="list-style-type: none"> • Check the wiring of the phase to the controller. • If the problem is not resolved, replace the controller and try again.
The controller shows incorrect reading for any of LOP, fuel level or temperature sensors.	<ul style="list-style-type: none"> • Check the respective sensor and its wiring. • Go to the Configuration menu on the controller. Make sure the sensors are calibrated correctly.

AUTO mode troubleshooting

Fault	Action
The controller does not start the engine when a remote start command is sent from an external device.	<ul style="list-style-type: none"> • Check the wiring of the remote start signal to the controller's respective digital input terminal. • Go to the Configuration menu on the controller. Make sure the digital input for the remote start is configured correctly. • Check that the controller is in Auto mode. • Make sure that the mains monitoring and site monitoring are not enabled.
Controller does not stop engine even when a remote stop command is sent from an external device.	<ul style="list-style-type: none"> • Check the wiring of the remote stop signal to the controller's digital input terminal. • Go to the Configuration menu. Make sure the digital input for the remote stop is configured correctly. • Check that the controller is in Auto mode.
While in Auto mode, the controller sends a Start command even if the mains is present.	<ul style="list-style-type: none"> • Check the wiring of the mains L1, L2 and L3 phase to the controller's input terminal. • Go to the Configuration menu on the controller. Make sure the mains monitoring is configured correctly.